

RJ45 FEMALE WATERPROOF CONNECTOR



PRODUCT SPECIFICATION

Material:

PLASTIC: PBT color: BLACK 94V-0

CONTACT: PHOSPHOR-BRONZE

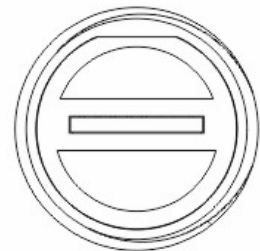
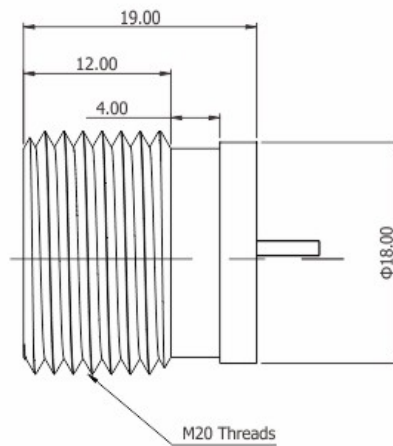
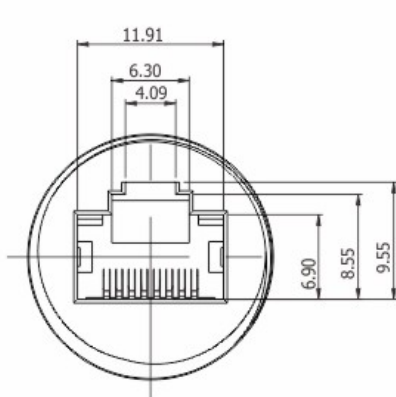
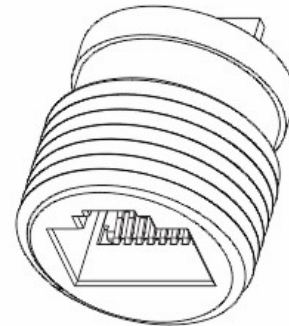
PLATING:

TERMINAL: Contact Plating: 30 μ " gold over 50 μ " Nickel min.

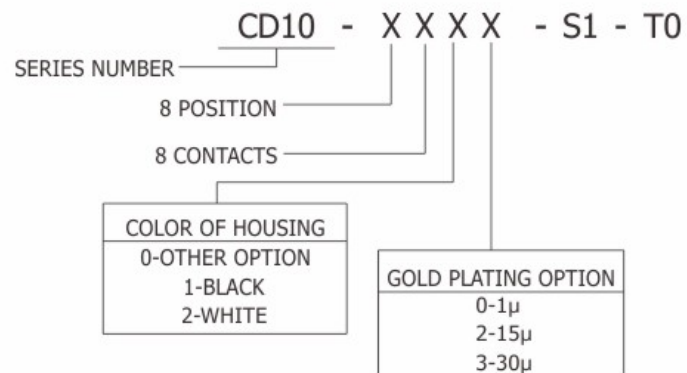
Solder Tail: 120 μ "min Tin over 50 μ " Nickel min.

MECHANICAL:

EXTRACTION FORCE: 2.3 Kgf Min.



Ordering Information

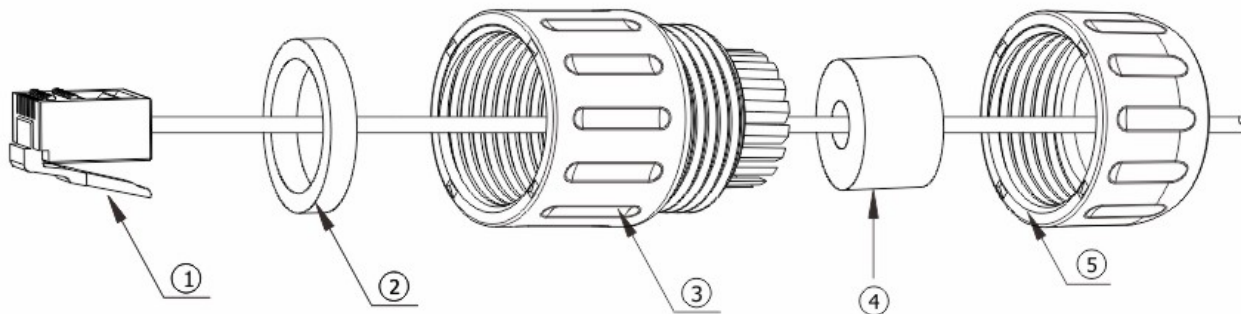


RJ 8P8C MALE WATERPROOF CONNECTOR



NOTES:

- 1.MATERIAL: PBT WITH 30% G.F. UL94 V-0. COLOR:Black
- 2.EJECTION MARK MAX 0.05mm.MUST BELOW PRODUCT SURFACE.
- 3.BURRS FOR PARTING LINE MAX 0.05.



5	270070000350	Water Proof Cover	1pcs
4	270070000352	Water Proof Ring	1pcs
3	270070000351	Cable Gland (w/Screw Threads)	1pcs
2	270070000359	Water Proof Washer	1pcs
1	/	RJ45 8P8C Plug Connector	1pcs
NO.	PART NO.	DESCRIPTION	QTY

Ordering Information

270070000349

RJ45 FEMALE WATERPROOF CONNECTOR



PRODUCT SPECIFICATION

Material:

PLASTIC: PBT color: BLACK 94V-0

CONTACT: PHOSPHOR-BRONZE

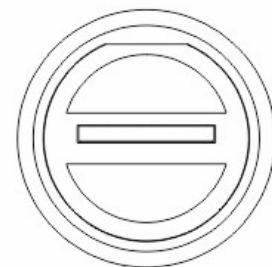
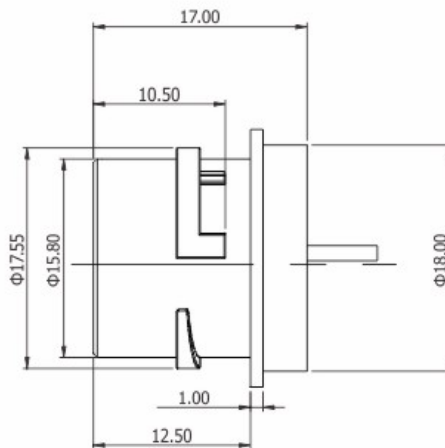
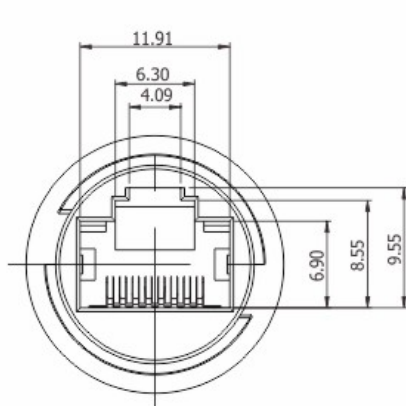
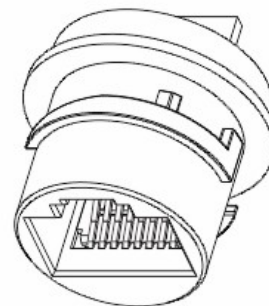
PLATING:

TERMINAL: Contact Plating: 30 μ " gold over 50 μ " Nickel min.

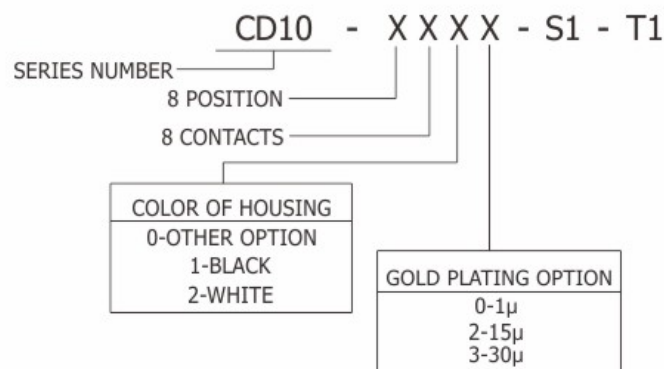
Solder Tail: 120 μ "min Tin over 50 μ " Nickel min.

MECHANICAL:

EXTRACTION FORCE: 2.3 Kgf Min.



Ordering Information

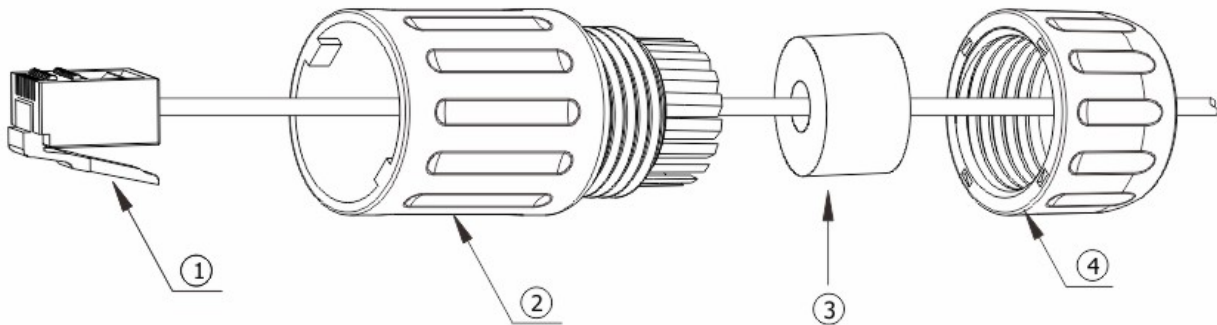


RJ 8P8C MALE WATER PROOF CONNECTOR



NOTES:

- 1.MATERIAL:PBT WITH 30% G.F. UL94 V-0.COLOR:BLACK
- 2.EJECTION MARK MAX 0.05mm.MUST BELOW PRODUCT SURFACE.
- 3.BURRS FOR PARTING LINE MAX 0.05.



4	270070000354	Water Proof Cover	1pcs
3	270070000352	Water Proof Ring	1pcs
2	270070000355	Cable Gland (w/o Screw Threads)	1pcs
1	/	RJ45 8P8C Plug Connector	1pcs
NO.	PART NO.	DESCRIPTION	QTY

Ordering Information

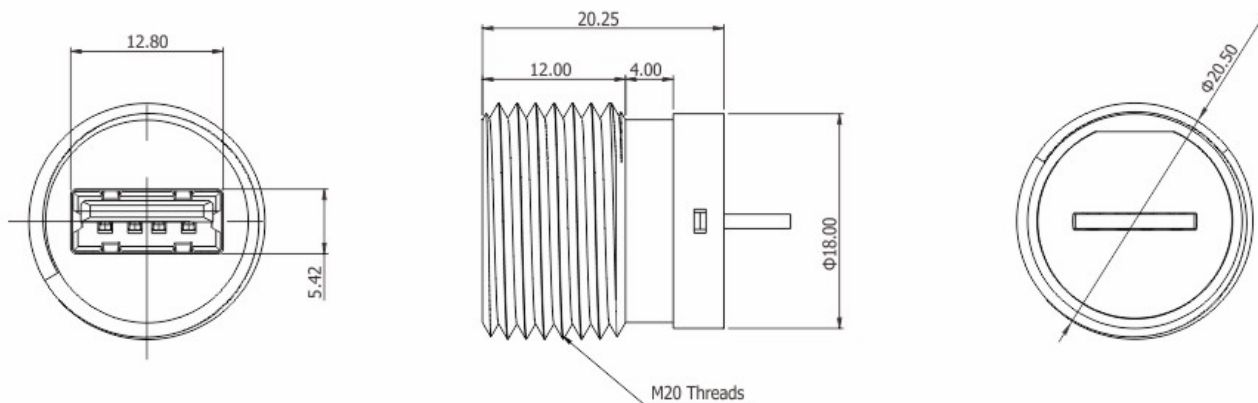
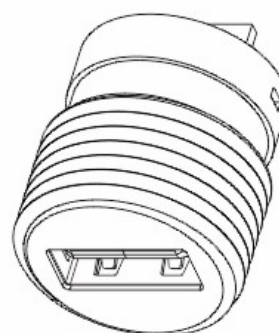
270070000353

USB 2.0 FEMALE WATERPROOF CONNECTOR

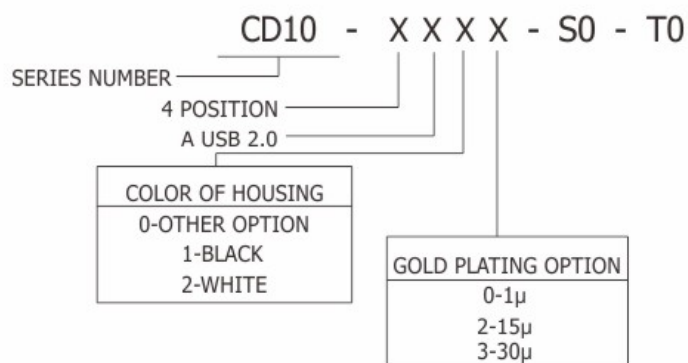


PRODUCT SPECIFICATION

Material:
 SHELL: Brass
 PLASTIC: PBT color: BLACK 94V-0
 CONTACT: PHOSPHOR-BRONZE
 PLATING:
 TERMINAL: Contact Plating: 1μ" gold over 50μ" Nickel min.
 Solder Tail: 120μ"min Tin over 50μ" Nickel min.
 SHELL: Plating 80μ" Nickel min.



Ordering Information

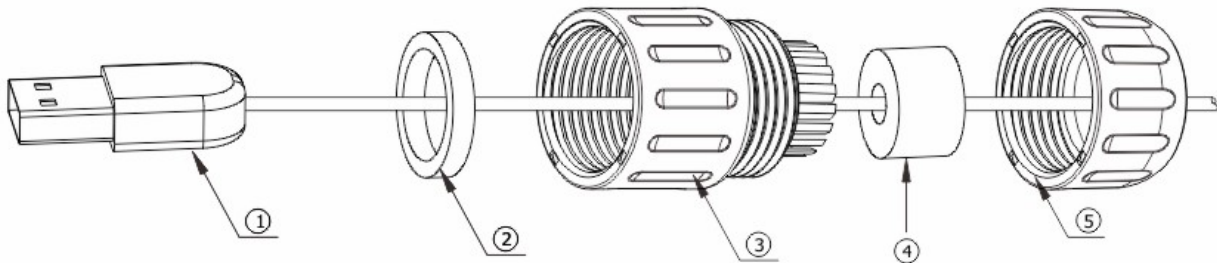


USB 2.0 MALE WATER PROOF CONNECTOR



NOTES:

- 1.MATERIAL:PBT WITH 30% G.F. UL94 V-0.COLOR:BLACK
- 2.EJECTION MARK MAX 0.05mm.MUST BELOW PRODUCT SURFACE.
- 3.BURRS FOR PARTING LINE MAX 0.05.



5	270070000350	Water Proof Cover	1pcs
4	270070000352	Water Proof Ring	1pcs
3	270070000351	Cable Gland (w/Screw Threads)	1pcs
2	270070000359	Water Proof Washer	1pcs
1	/	USB 2.0 A Male Connector	1pcs
NO.	PART NO.	DESCRIPTION	QTY

Ordering Information

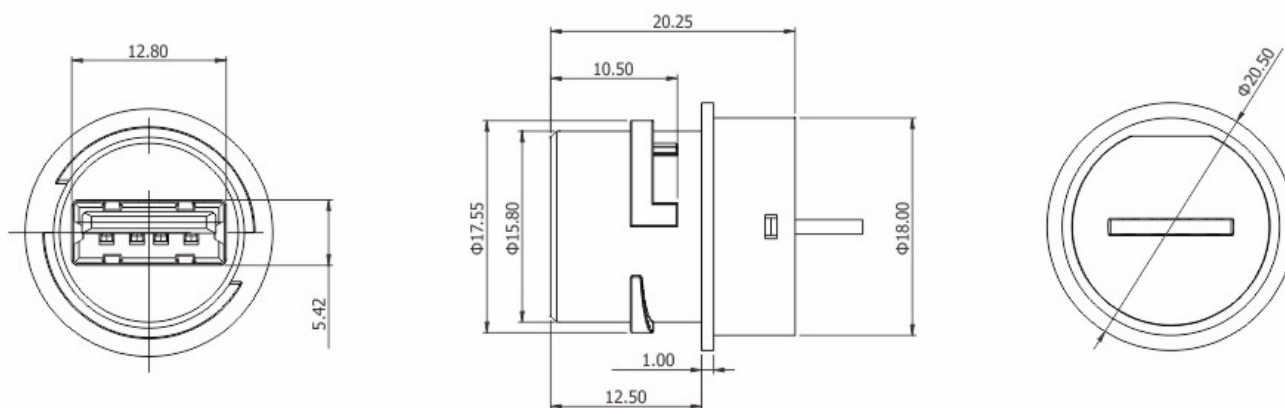
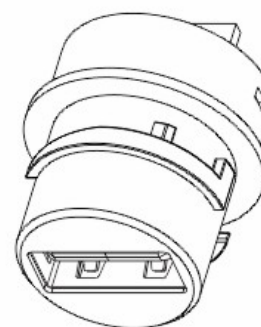
270070000360

USB 2.0 FEMALE WATERPROOF CONNECTOR

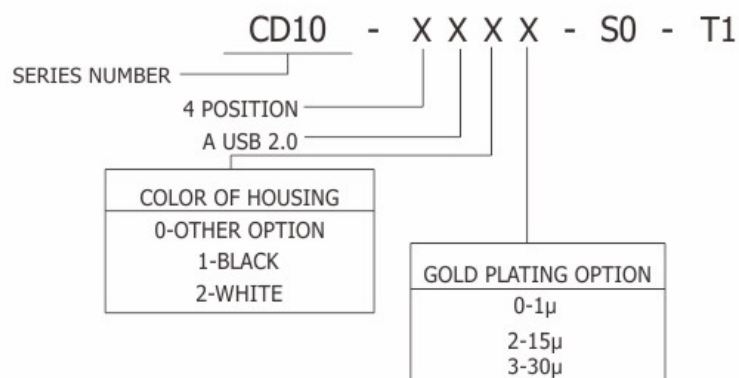


PRODUCT SPECIFICATION

Material:
 SHELL: Brass
 PLASTIC: PBT color: BLACK 94V-0
 CONTACT: PHOSPHOR-BRONZE
 PLATING:
 TERMINAL: Contact Plating: 1μ" gold over 50μ" Nickel min.
 Solder Tail: 120μ"min Tin over 50μ" Nickel min.
 SHELL: Plating 80μ" Nickel min.



Ordering Information

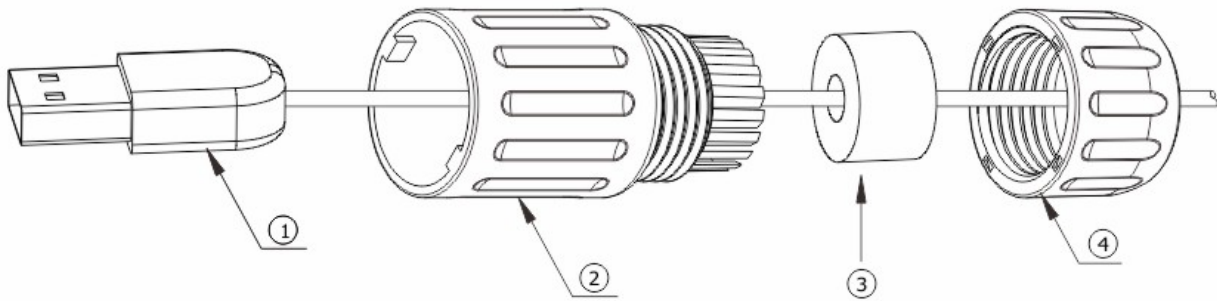


USB 2.0 MALE WATER PROOF CONNECTOR



NOTES:

- 1.MATERIAL:PBT WITH 30% G.F. UL94 V-0.COLOR:BLACK
- 2.EJECTION MARK MAX 0.05mm.MUST BELOW PRODUCT SURFACE.
- 3.BURRS FOR PARTING LINE MAX 0.05.



4	2700700003	54	Water Proof Cover	1pcs
3	2700700003	52	Water Proof Ring	1pcs
2	2700700003	55	Cable Gland (w/o Screw Threads)	1pcs
1	/		USB 2.0 A Male Connector	1pcs
NO.	PART NO.		DESCRIPTION	QTY

Ordering Information

270070000361