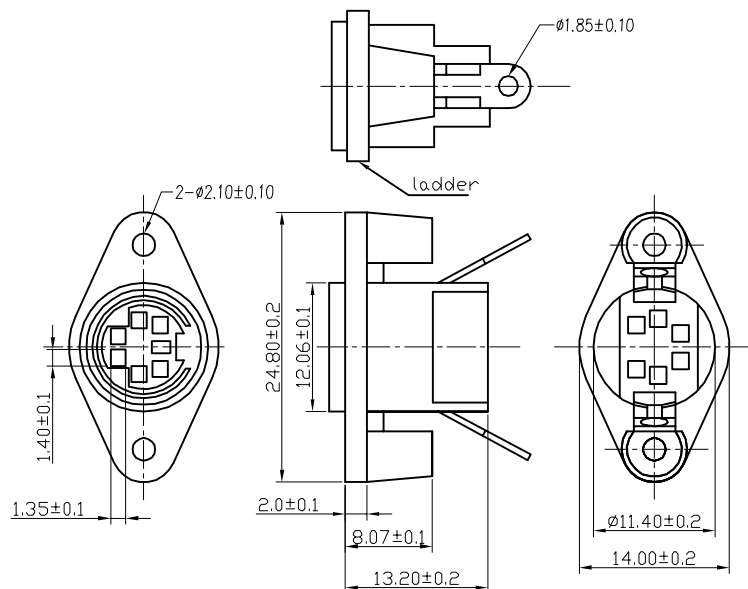


THE INFORMATION CONTAINED IN THIS DOCUMENT IS PROPRIETARY TO Y-S ELECTRONIC, ANY REPRODUCTION IN PART OR WHOLE WITHOUT PRIOR WRITTEN APPROVAL OR AUTHORIZATION OF Y-S ELECTRONIC IS STRICTLY PROHIBITED.

RoHS COMPLIANT

REVISIONS

REV	ECN NO.	DESCRIPTION	APPROVED BY	DATE



Note:

1.Material:

- 1.1 Insulator: P.B.T UL 94-V0 rated.
- 1.2 Contact: Phosphor Bronze, t=0.20mm.
- 1.4 Shell: Brass, t=0.40(H/2)mm.

2.Specification:

- 2.1 Current rating: 1 A Max.
- 2.2 Dielectric withstanding voltage: 500 V(ac) for 1 minute.
- 2.3 Contact resistance: 30 mΩ Max.
- 2.4 Insulation resistance: 1000 MΩ Min at DC 500V.
- 2.5 Temperature range: -55°C~+105°C

Ordering Information

189c- $\frac{X}{a}$ $\frac{X}{b}$ $\frac{X}{c}$ $\frac{X}{d}$ $\frac{X}{e}$ $\frac{X}{f}$

a. GENDER

- 2. FEMALE

b. Contact Type

- 3: 3P 6: 6P
- 4: 4P 7: 7P
- 5: 5P 8: 8P

c. Contact Plating Tin

- 6: Tin

d. Copper ring

- 1: Nickel
- 2: Tin

e. Ladder type

- 1: Not fold bend 3.5L
- 2: Fold bend 3.5L
- 3: Not fold bend 5.2L

f. Insulator Color

- 1: White
- 2: Black
- 3: Green
- 4: Purple
- 5: Yellow
- 6: PA9T Black

NO.OF CONTACT	3	4	5	6	7	8
PART NO.	MD-3S	MD-4S	MD-5S	MD-6S	MD-7S	MD-8S
POSTION						

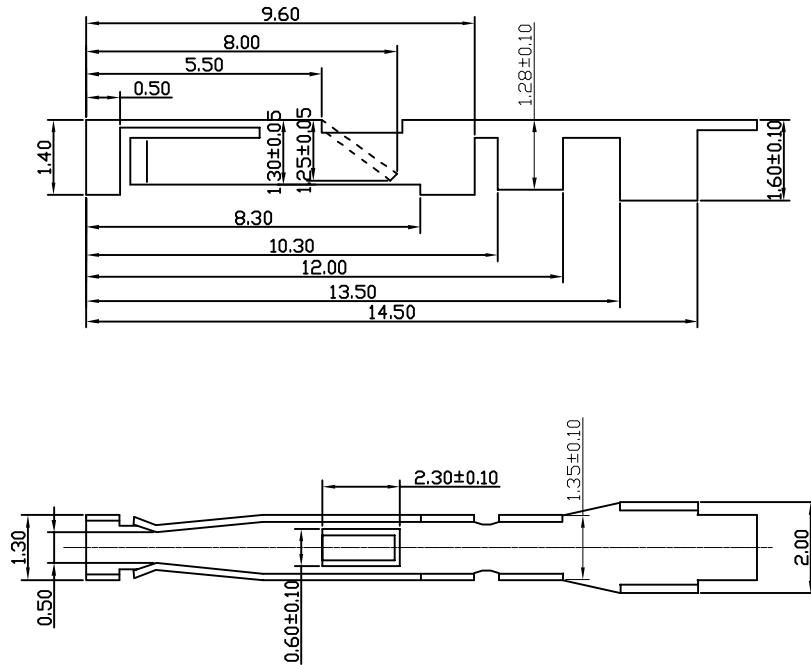
DO NOT SCALE DRAWING

DIMENSIONS: <input type="checkbox"/> MM [INCH] <input type="checkbox"/> INCH [mm] <input checked="" type="checkbox"/> MM ONLY	CAD GENERATED DRAWING, DO NOT MANUALLY UPDATE DRAWN BY AND DATE JUSTIN XING 06-08-06	Y-S ELECTRONIC CO., LTD. No. 101, Sec. 1, Long-An Street, Lu-Chu, Taoyuan, Taiwan, R.O.C. TEL: +886-3-3609819 FAX: +886-3-3609817
MATERIAL: _____ FINISH: _____	CHECKED BY AND DATE JUSTIN XING 06-08-06 APPROVED BY AND DATE KING CHIU 06-08-06 THIRD ANGLE PROJECTION 	TITLE 189c SERIES MINI DIN CONNECTORS CRIMP TYPE
	SCALE: 2 : 1 SIZE: A3	DRAWING NO. 189c-XXXXXX REV A
	FILE NO.: _____	SHEET 1 OF 1

THE INFORMATION CONTAINED IN THIS DOCUMENT IS PROPRIETARY TO Y-S ELECTRONIC, ANY REPRODUCTION IN PART OR WHOLE WITHOUT PRIOR WRITTEN APPROVAL OR AUTHORIZATION OF Y-S ELECTRONIC IS STRICTLY PROHIBITED.

RoHS COMPLIANT

REVISIONS				
REV	ECN NO.	DESCRIPTION	APPROVED BY	DATE




Note:

1. Material:

1.1 Contact: Phospher Bronze, t=0.20mm.

1.2 Contact Plating Tin

DO NOT SCALE DRAWING

DIMENSIONS: <input type="checkbox"/> MM [INCH] <input type="checkbox"/> INCH [mm] <input checked="" type="checkbox"/> MM ONLY	CAD GENERATED DRAWING, DO NOT MANUALLY UPDATE		 Y-S ELECTRONIC CO., LTD. No. 101, Sec. 1, Long-An Street, Lu-Chu, Taoyuan, Taiwan, R.O.C. TEL: +886-3-3609819 FAX: +886-3-3609817
	UNLESS OTHERWISE SPECIFIED, GENERAL TOLERANCE: DECIMALS ANGLES X: ±0.38 [0.015] X°: ±3° .X: ±0.25 [0.010] .X°: ±1.0° .XX: ±0.13 [0.005]		
MATERIAL	CHECKED BY AND DATE KING CHIU 06-14-06		TITLE 189c SERIES MINI DIN CONNECTORS CRIMP TERMINAL
FINISH	APPROVED BY AND DATE KING CHIU 06-14-06		DRAWING NO. 189c- CRIMP TERMINAL
SCALE: 10 : 1		SIZE: A3	FILE NO.: SHEET 1 OF 1