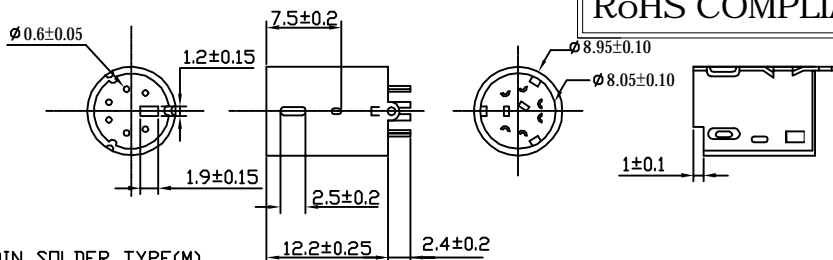


THE INFORMATION CONTAINED IN THIS DOCUMENT IS PROPRIETARY TO Y-S ELECTRONIC. ANY REPRODUCTION IN PART OR WHOLE WITHOUT PRIOR WRITTEN APPROVAL OR AUTHORIZATION OF Y-S ELECTRONIC IS STRICTLY PROHIBITED.

RoHS COMPLIANT

REVISIONS				
REV	ECN NO.	DESCRIPTION	APPROVED BY	DATE
B	A0608215	△	KING CHIU	2006-08-31



MINI DIN SOLDER TYPE(M)

NO.OF CONTACT	3	4	5	6	7	8
PART NO.	MD-3P	MD-4P	MD-5P	MD-6P	MD-7P	MD-8P
POSITION						

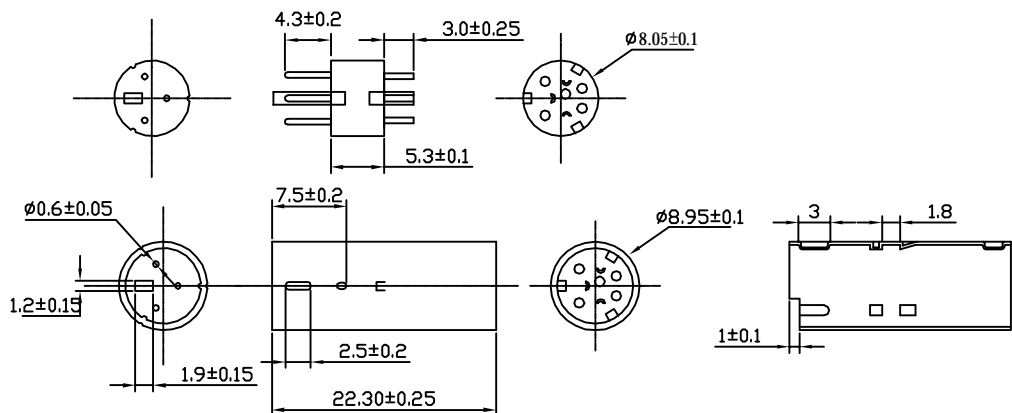
Note:

- 1.Material:
  - 1.1 Insulator: P.B.T UL 94-V0 rated.
  - 1.2 Contact: Copper alloy,t=0.60mm.
  - 1.3 Shell: Copper alloy,t=0.40mm.
- 2.Specification:
  - 2.1 Current rating: 1 A Max.
  - 2.2 Dielectric withstanding voltage: 500 V(ac) for 1 minute.
  - 2.3 Contact resistance: 30 mW Max.
  - 2.4 Insulation resistance: 1000 MW Min at DC 500V.
  - 2.5 Total mating force: 3.0 Kgf Max.
  - 2.6 Total unmating force: 0.5 Kgf Min.
  - 2.7 Temperature range: -55°C~105°C

Ordering Information

189a -  $\frac{X}{a} \frac{X}{b} \frac{X}{c} \frac{X}{d} \frac{X}{e} \frac{X}{f} \frac{X}{g} \frac{X}{h} \frac{X}{T}$

- a. Contact Type
  - 3: 3P 6: 6P 9: 9P
  - 4: 4P 7: 7P
  - 5: 5P 8: 8P
- b. GENDER
  - 1: MALE
  - 2: FEMALE
- c. Contact Plating
  - 0: gold flash selective gold
  - 1: 3u" selective gold on contact
  - 2: 5u" selective gold on contact
  - 3: 10u" selective gold on contact
  - 4: 15u" selective gold on contact
  - 5: 30u" selective gold on contact
  - 6: Tin
- d. Shell Plating
  - 1: Nickel
- e. Grounding Type
  - 0: Without Grounding Strap
  - 1: With Grounding Strap
- f. copper shell length
  - 1: 9.8mm(female)
  - 2: 12.2mm(male)
  - 3: 22.3mm(male)
  - 4: min 9pin short tube
- g. copper shell with & without gap
  - 1: copper shell with gap
  - 2: copper shell without gap
- h. with & without overmold can
  - 1: with overmold can
  - 2: without overmold can
- i. Insulator Color
  - 1: White
  - 2: Black
  - 3: Green
  - 4: Purple
  - 5: Yellow



MINI DIN SOLDER LENGTH COPPER SHELL TYPE(M)

NO.OF CONTACT	3	4	5	6	7	8
PART NO.	MD-3P	MD-4P	MD-5P	MD-6P	MD-7P	MD-8P
POSITION						

DIMENSIONS: □ MM [INCH] □ INCH [mm] ☒ MM ONLY	CAD GENERATED DRAWING, DO NOT MANUALLY UPDATE
UNLESS OTHERWISE SPECIFIED, GENERAL TOLERANCE: DECIMALS X: ±0.38 [0.015] .X: ±0.25 [0.010] .XX: ±0.13 [0.005] ANGLES X°: ±3° .X°: ±1.0°	DRAWN BY AND DATE JUSTIN XING 05-19-06 CHECKED BY AND DATE JUSTIN XING 05-19-06 APPROVED BY AND DATE KING CHIU 05-19-06 THIRD ANGLE PROJECTION
MATERIAL	
FINISH	SCALE: 2:1 SIZE: A3

**Y-S ELECTRONIC CO., LTD.**  
 No. 101, Sec. 1, Long-An Street, Lu-Chu, Taoyuan, Taiwan, R.O.C.  
 TEL: +886-3-3609819 FAX: +886-3-3609817

TITLE  
 189a SERIES  
 MINI DIN CONNECTORS  
 SOLDER MOLD TYPE

DRAWING NO. 189a-X1XXXXX	REV B
FILE NO.	SHEET 1 OF 3

DO NOT SCALE DRAWING

THE INFORMATION CONTAINED IN THIS DOCUMENT IS PROPRIETARY TO Y-S ELECTRONIC. ANY REPRODUCTION IN PART OR WHOLE WITHOUT PRIOR WRITTEN APPROVAL OR AUTHORIZATION OF Y-S ELECTRONIC IS STRICTLY PROHIBITED.

RoHS COMPLIANT

REVISIONS

REV	ECN NO.	DESCRIPTION	APPROVED BY	DATE

Note:

1.Material:

- 1.1 Insulator: P.B.T UL 94-V0 rated.
- 1.2 Contact: Copper alloy,t=0.60mm.
- 1.3 Shell: Copper alloy,t=0.40mm.

2.Specification:

- 2.1 Current rating: 1 A Max.
- 2.2 Dielectric withstanding voltage: 500 V(ac) for 1 minute.
- 2.3 Contact resistance: 30 mW Max.
- 2.4 Insulation resistance: 1000 MW Min at DC 500V.
- 2.5 Total mating force: 3.0 KgF Max.
- 2.6 Total unmating force: 0.5 KgF Min.
- 2.7 Temperature range: -55°C~+105°C

Ordering Information

189a -  $\frac{X}{a} \frac{X}{b} \frac{X}{c} \frac{X}{d} \frac{X}{e} \frac{X}{f} \frac{X}{g} \frac{X}{h} \frac{X}{T}$

a. Contact Type

- 3: 3P 6: 6P 9: 9P
- 4: 4P 7: 7P
- 5: 5P 8: 8P

b. GENDER

- 1: MALE
- 2: FEMALE

c. Contact Plating

- 0: gold flash selective gold
- 1: 3u" selective gold on contact
- 2: 5u" selective gold on contact
- 3: 10u" selective gold on contact
- 4: 15u" selective gold on contact
- 5: 30u" selective gold on contact
- 6: Tin

d. Shell Plating

- 1: Nickel

e. Grounding Type

- 0: Without Grounding Strap
- 1: With Grounding Strap

f. copper shell length

- 1: 9.8mm(Female)
- 2: 12.2mm(male)
- 3: 22.3mm(male)
- 4: min 9pin short tube

g. copper shell with & without gap

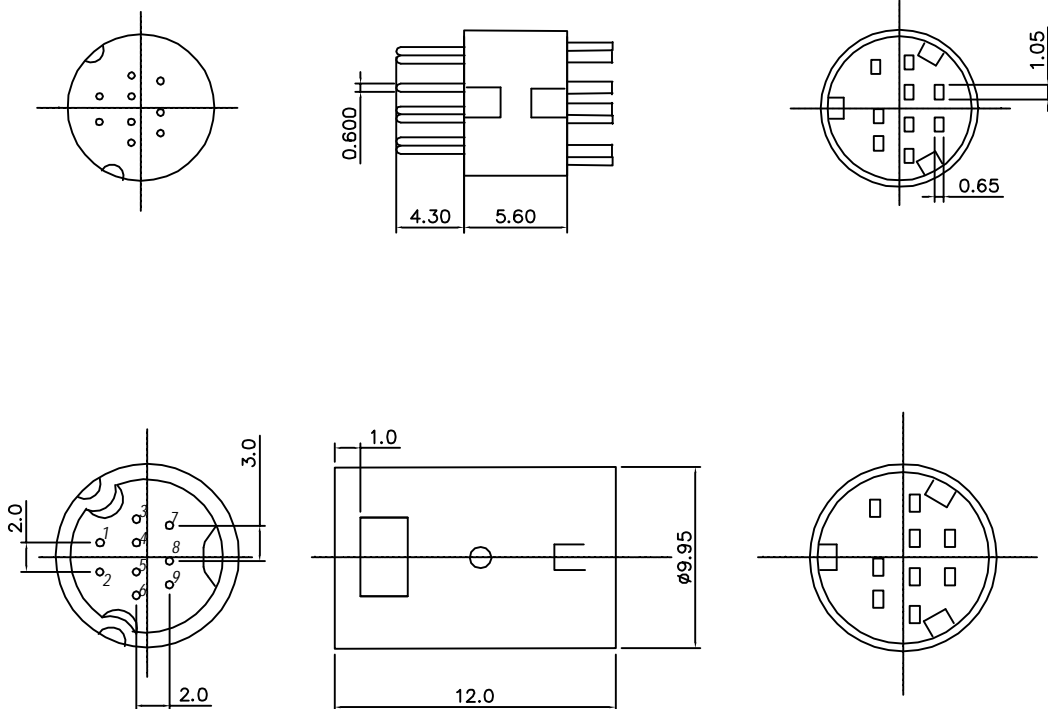
- 1: copper shell with gap
- 2: copper shell without gap

h. with & without overmold can

- 1: with overmold can
- 2: without overmold can

i. Insulator Color

- 1: White
- 2: Black
- 3: Green
- 4: Purple
- 5: Yellow



MINI DIN 9PIN SOLDER TYPE(M)

DO NOT SCALE DRAWING

DIMENSIONS: <input type="checkbox"/> MM [INCH] <input type="checkbox"/> INCH [mm] <input checked="" type="checkbox"/> MM ONLY		CAD GENERATED DRAWING, DO NOT MANUALLY UPDATE	
UNLESS OTHERWISE SPECIFIED, GENERAL TOLERANCE: DECIMALS      ANGLES X: ±0.38 [0.015]   X°: ±3° .X: ±0.25 [0.010]   .X°: ±1.0° .XX: ±0.13 [0.005]		DRAWN BY AND DATE JUSTIN XING 05-19-06	
MATERIAL: _____ FINISH: _____		CHECKED BY AND DATE KING CHIU 05-19-06	
SCALE: 2 : 1      SIZE: A3		APPROVED BY AND DATE KING CHIU 05-19-06	
THIRD ANGLE PROJECTION		TITLE	



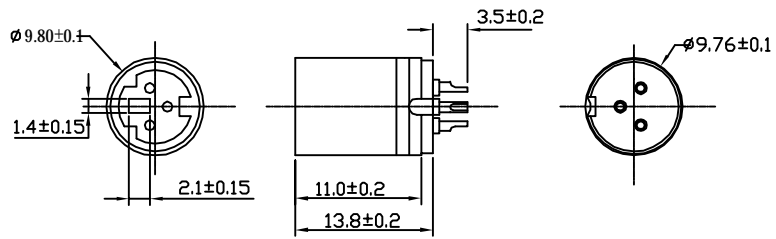
**Y-S ELECTRONIC CO., LTD.**  
 No. 101, Sec. 1, Long-An Street,  
 Lu-Chu, Taoyuan, Taiwan, R.O.C.  
 TEL: +886-3-3609819 FAX: +886-3-3609817

TITLE 189a SERIES MINI DIN CONNECTORS SOLDER MOLD TYPE	
DRAWING NO. 189a-X1XXXXX	REV B
FILE NO.: _____	SHEET 2 OF 3

THE INFORMATION CONTAINED IN THIS DOCUMENT IS PROPRIETARY TO Y-S ELECTRONIC, ANY REPRODUCTION IN PART OR WHOLE WITHOUT PRIOR WRITTEN APPROVAL OR AUTHORIZATION OF Y-S ELECTRONIC IS STRICTLY PROHIBITED.

RoHS COMPLIANT

REVISIONS				
REV	ECN NO.	DESCRIPTION	APPROVED BY	DATE
B	A0608215	$\Delta$	KING CHIU	2006-08-31



- Note:
- Material:
    - Insulator: P.B.T UL 94-V0 rated.
    - Contact: Copper alloy,  $t=0.60\text{mm}$ .
    - Shell: Copper alloy,  $t=0.40\text{mm}$ .
  - Specification:
    - Current rating: 1 A Max.
    - Dielectric withstanding voltage: 500 V(ac) for 1 minute.
    - Contact resistance: 30 mW Max.
    - Insulation resistance: 1000 MW Min at DC 500V.
    - Total mating force: 3.0 Kgf Max.
    - Total unmating force: 0.5 Kgf Min.
    - Temperature range:  $-55^{\circ}\text{C}\sim+105^{\circ}\text{C}$

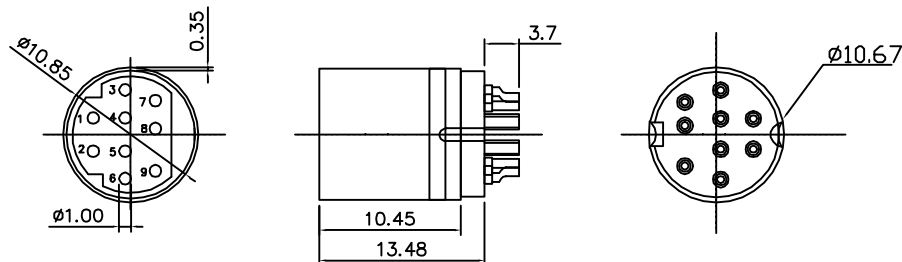
MINI DIN SOLDER TYPE(F)

NO.OF CONTACT	3	4	5	6	7	8
PART NO.	MD-3S	MD-4S	MD-5S	MD-6S	MD-7S	MD-8S
POSTTION						

Ordering Information

189a -  $\frac{X}{a} \frac{X}{b} \frac{X}{c} \frac{X}{d} \frac{X}{e} \frac{X}{f} \frac{X}{g} \frac{X}{h} \frac{X}{T}$

- a. Contact Type
  - 3: 3P 6: 6P 9: 9P
  - 4: 4P 7: 7P
  - 5: 5P 8: 8P
- b. GENDER
  - 1: MALE
  - 2: FEMALE
- c. Contact Plating
  - 0: gold flash selective gold
  - 1: 3u" selective gold on contact
  - 2: 5u" selective gold on contact
  - 3: 10u" selective gold on contact
  - 4: 15u" selective gold on contact
  - 5: 30u" selective gold on contact
  - 6: Tin
- d. Shell Plating
  - 1: Nickel
- e. Grounding Type
  - 0: Without Grounding Strap
  - 1: With Grounding Strap
- f. copper shell length
  - 1: 9.8mm(female)
  - 2: 12.2mm(male)
  - 3: 22.3mm(male)
  - 4: min 9pin short tube
- g. copper shell with & without gap
  - 1: copper shell with gap
  - 2: copper shell without gap
- h. with & without overmold can
  - 1: with overmold can
  - 2: without overmold can
- i. Insulator Color
  - 1: White
  - 2: Black
  - 3: Green
  - 4: Purple
  - 5: Yellow



MINI DIN 9PIN SOLDER TYPE(F)

DO NOT SCALE DRAWING

DIMENSIONS: <input type="checkbox"/> MM [INCH] <input type="checkbox"/> INCH [mm] <input checked="" type="checkbox"/> MM ONLY		CAD GENERATED DRAWING, DO NOT MANUALLY UPDATE		Y-S ELECTRONIC CO., LTD. No. 101, Sec. 1, Long-An Street, Lu-Chu, Taoyuan, Taiwan, R.O.C. TEL: +886-3-3609819 FAX: +886-3-3609817	
UNLESS OTHERWISE SPECIFIED, GENERAL TOLERANCE: DECIMALS      ANGLES .X ±0.38 [0.015]    X* ±3° .X ±0.25 [0.010]    .X* ±1.0° .XX ±0.13 [0.005]		CHECKED BY AND DATE JUSTIN XING 05-19-06		TITLE 189a SERIES MINI DIN CONNECTORS SOLDER MOLD TYPE	
MATERIAL		APPROVED BY AND DATE KING CHIU 05-19-06		DRAWING NO. 189a-X2XXXXXX	
FINISH		THIRD ANGLE PROJECTION 		REV B	
SCALE: 2 : 1		SIZE: A3		FILE NO.:      SHEET 3 OF 3	