

THE INFORMATION CONTAINED IN THIS DOCUMENT IS PROPRIETARY TO Y-S ELECTRONIC, ANY REPRODUCTION IN PART OR WHOLE WITHOUT PRIOR WRITTEN APPROVAL OR AUTHORIZATION OF Y-S ELECTRONIC IS STRICTLY PROHIBITED.

RoHS COMPLIANT

REVISIONS				
REV	ECN NO.	DESCRIPTION	APPROVED BY	DATE
A				2005-10-29

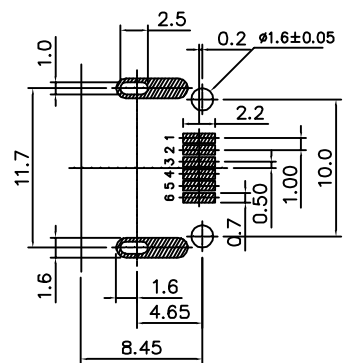
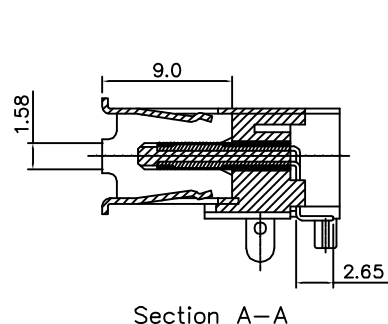
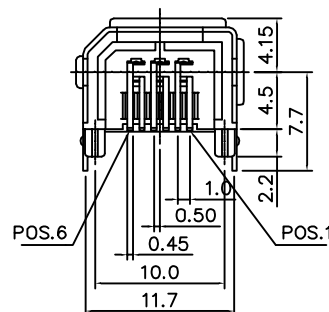
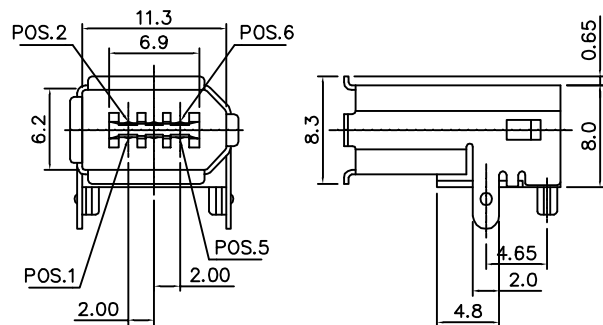
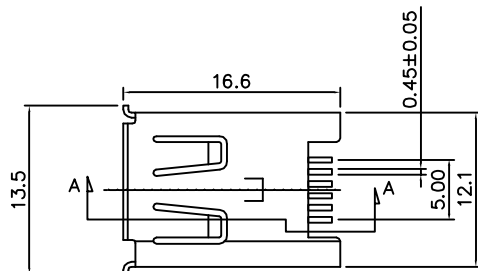
Product Specification  
 Material  
 Housing: PBT & Glass-Fiber, UL-94V-0  
 Contact : Phosphor Bronze  
 Shell: Phosphor Bronze

Electrical  
 Contact Resistance :  
 30 magohms Max at 1 AMP DC  
 Insulation Resistance :  
 1000 milliohms min at 500 VDC  
 Dielectric Withstanding Voltage :  
 750 VAC/r.m.s. 60Hz for 1 minute

Ordering Information

187 -  $\frac{XX}{a} \frac{X}{b} \frac{X}{c} \frac{X}{d} \frac{X}{e}$

- a. No. Of Pins  
06: 06 positions
- b. Contact Type  
1: Male  
2: Female
- c. Contact Plating  
0: Gold flash selective gold  
1: 15u" selective gold over 50u" nickel  
2: 30u" selective gold over 50u" nickel  
3: 50u" selective gold over 50u" nickel
- d. Shell Plating  
1: Nickel  
2: Tin
- e. Insulator Color  
1: White  
2: Black



DIMENSIONS: <input type="checkbox"/> MM [INCH] <input type="checkbox"/> INCH [mm] <input checked="" type="checkbox"/> MM ONLY		CAD GENERATED DRAWING, DO NOT MANUALLY UPDATE	
UNLESS OTHERWISE SPECIFIED, GENERAL TOLERANCE: DECIMALS    ANGLES X: ±0.38 [0.015]   X° ±3° .X ±0.25 [0.010]   .X° ±1.0° .XX ±0.13 [0.005]		DRAWN BY AND DATE JUSTIN XING 07-12-06	
MATERIAL		CHECKED BY AND DATE JUSTIN XING 07-12-06	
FINISH		APPROVED BY AND DATE KING CHIU 07-12-06	
		THIRD ANGLE PROJECTION	
		SCALE: NONE	SIZE: A3



**Y-S ELECTRONIC CO., LTD.**  
 No. 101, Sec. 1, Long-An Street,  
 Lu-Chu, Taoyuan, Taiwan, R.O.C.  
 TEL: +886-3-3609819 FAX: +886-3-3609817

TITLE 187 SERIES IEEE 1394 CONNECTOR SOCKET RIGHT ANGLE TYPE	
DRAWING NO. 187-062012	REV A
FILE NO.	SHEET 1 OF 1

DO NOT SCALE DRAWING