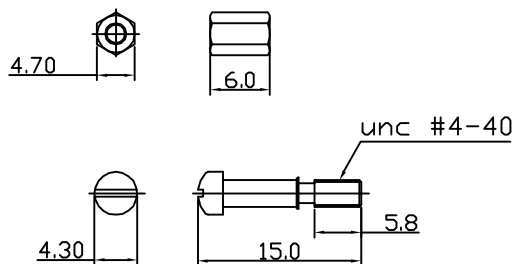
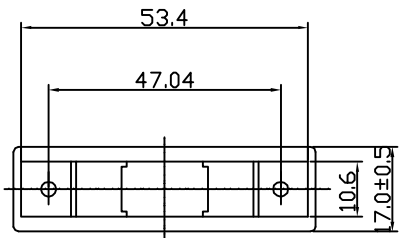


THE INFORMATION CONTAINED IN THIS DOCUMENT IS PROPRIETARY TO Y-S ELECTRONIC. ANY REPRODUCTION IN PART OR WHOLE WITHOUT PRIOR WRITTEN APPROVAL OR AUTHORIZATION OF Y-S ELECTRONIC IS STRICTLY PROHIBITED.

RoHS COMPLIANT

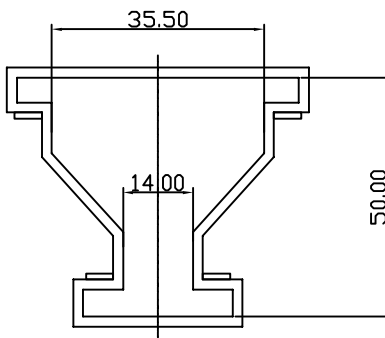
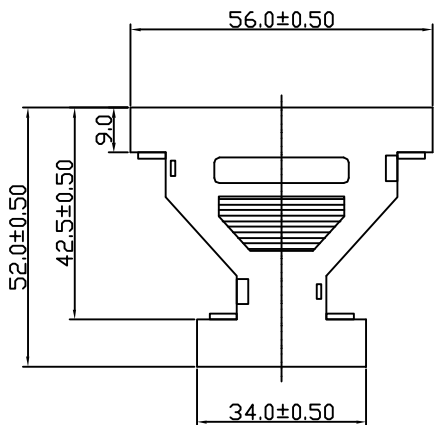
REVISIONS				
REV	ECN NO.	DESCRIPTION	APPROVED BY	DATE



Product Specification

Material

Hood :ABS thermoplastic UL94V-0 rates  
 UL94V-0 rates  
 Screwlock :Brass, 100u" min Nickel Plated.

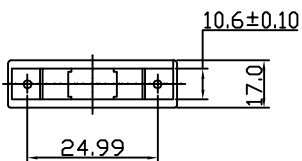


Ordering Information

157 -  $\frac{XX}{a}$   $\frac{X}{b}$   $\frac{XX}{c}$   $\frac{X}{d}$   $\frac{X}{e}$   $\frac{X}{f}$


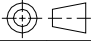
- a. No. Of Pins (Top)
- b. Contact Type (Top)
  - 1: Male
  - 2: Female
- c. No. Of Pins (Bottom)
- d. Contact Type (Bottom)
  - 1: Male
  - 2: Female
- e. Shell Type
  - 1: Plastic
  - 2: Nickel plate metalized
- f. Nut Type
  - 1:with Nut
  - 2:w/o Nut

DO NOT SCALE DRAWING



9pin to 25pin type

Note:  
Male to Male type not need add nut.

DIMENSIONS: <input type="checkbox"/> MM [INCH] <input type="checkbox"/> INCH [mm] <input checked="" type="checkbox"/> MM ONLY	CAD GENERATED DRAWING, DO NOT MANUALLY UPDATE	 <b>Y-S ELECTRONIC CO., LTD.</b> No. 101, Sec. 1, Long-An Street, Lu-Chu, Taoyuan, Taiwan, R.O.C. TEL: +886-3-3609819 FAX: +886-3-3609817	
	UNLESS OTHERWISE SPECIFIED, GENERAL TOLERANCE: DECIMALS      ANGLES X: ±0.38 [0.015]   X° ±3° .X ±0.25 [0.010]   .X° ±1.0° .XX ±0.13 [0.005]		DRAWN BY AND DATE JUSTIN XING 07-03-06 CHECKED BY AND DATE JUSTIN XING 07-03-06 APPROVED BY AND DATE KING CHIU 07-03-06 THIRD ANGLE PROJECTION
MATERIAL		DRAWING NO.	REV
FINISH		SCALE: NONE      SIZE: A3	157-09X25XX
FILE NO.		SHEET 4 OF 6	

THE INFORMATION CONTAINED IN THIS DOCUMENT IS PROPRIETARY TO Y-S ELECTRONIC, ANY REPRODUCTION IN PART OR WHOLE WITHOUT PRIOR WRITTEN APPROVAL OR AUTHORIZATION OF Y-S ELECTRONIC IS STRICTLY PROHIBITED.

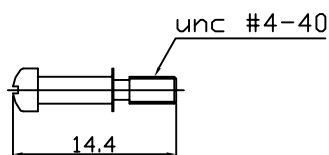
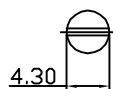
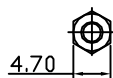
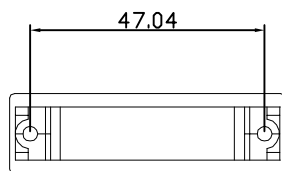
RoHS COMPLIANT

REVISIONS				
REV	ECN NO.	DESCRIPTION	APPROVED BY	DATE

Product Specification

Material

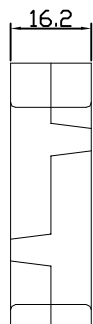
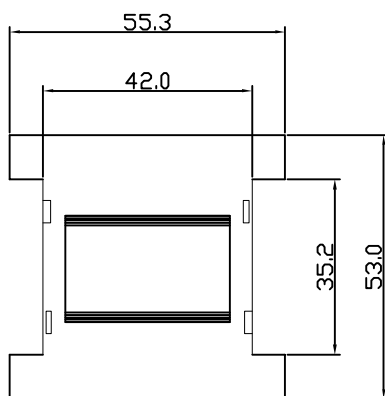
Hood :ABS thermoplastic UL94V-0 rates  
 UL94V-0 rates  
 Screwlock :Brass, 100u" min Nickel Plated.



Ordering Information


157 -  $\frac{XX}{a}$   $\frac{X}{b}$   $\frac{XX}{c}$   $\frac{X}{d}$   $\frac{X}{e}$   $\frac{X}{f}$

- a. No. Of Pins (Top)
- b. Contact Type (Top)  
 1: Male  
 2: Female
- c. No. Of Pins (Bottom)
- d. Contact Type (Bottom)  
 1: Male  
 2: Female
- e. Shell Type  
 1: Plastic  
 2: Nickel plate metalized
- f. Nut Type  
 1:with Nut  
 2:w/o Nut



25pin to 25pin type

Note:  
 Male to Male type not need add nut.

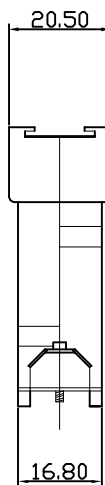
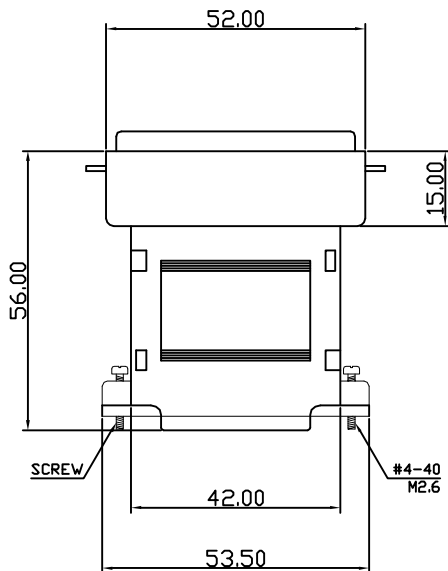
DIMENSIONS: <input type="checkbox"/> MM [INCH] <input type="checkbox"/> INCH [mm] <input checked="" type="checkbox"/> MM ONLY	CAD GENERATED DRAWING, DO NOT MANUALLY UPDATE DRAWN BY AND DATE JUSTIN XING 07-03-06	 <b>Y-S ELECTRONIC CO., LTD.</b> No. 101, Sec. 1, Long-An Street, Lu-Chu, Taoyuan, Taiwan, R.O.C. TEL: +886-3-3609819 FAX: +886-3-3609817	
			UNLESS OTHERWISE SPECIFIED, GENERAL TOLERANCE: DECIMALS      ANGLES .X ±0.38 [0.015]    X° ±3° .X ±0.25 [0.010]    .X° ±1.0° .XX ±0.13 [0.005]
MATERIAL FINISH	SCALE: NONE      SIZE: A3	DRAWING NO. 157-25X25XX	REV A
FILE NO.		SHEET 5 OF 6	

DO NOT SCALE DRAWING

THE INFORMATION CONTAINED IN THIS DOCUMENT IS PROPRIETARY TO Y-S ELECTRONIC. ANY REPRODUCTION IN PART OR WHOLE WITHOUT PRIOR WRITTEN APPROVAL OR AUTHORIZATION OF Y-S ELECTRONIC IS STRICTLY PROHIBITED.

RoHS COMPLIANT

REVISIONS				
REV	ECN NO.	DESCRIPTION	APPROVED BY	DATE



Product Specification

Material

Hood :ABS thermoplastic UL94V-0 rates  
 UL94V-0 rates  
 Screwlock :Brass, 100u" min Nickel Plated.

Ordering Information


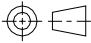
157 -  $\frac{XX}{a}$   $\frac{X}{b}$   $\frac{XX}{c}$   $\frac{X}{d}$   $\frac{X}{e}$   $\frac{X}{f}$

- a. No. Of Pins (Top)
- b. Contact Type (Top)
  - 1: Male
  - 2: Female
- c. No. Of Pins (Bottom)
- d. Contact Type (Bottom)
  - 1: Male
  - 2: Female
- e. Shell Type
  - 1: Plastic
  - 2: Nickel plate metalized
- f. Nut Type
  - 1:with Nut
  - 2:w/o Nut

25pin to 36pin type

Type	Part Number
#4-40 unc	157-25X36XX-01
M2.6	157-25X36XX-02

Note:  
 Male to Male type not need add nut.

DIMENSIONS: <input type="checkbox"/> MM [INCH] <input type="checkbox"/> INCH [mm] <input checked="" type="checkbox"/> MM ONLY	CAD GENERATED DRAWING, DO NOT MANUALLY UPDATE	 <b>Y-S ELECTRONIC CO., LTD.</b> No. 101, Sec. 1, Long-An Street, Lu-Chu, Taoyuan, Taiwan, R.O.C. TEL: +886-3-3609819 FAX: +886-3-3609817	
	UNLESS OTHERWISE SPECIFIED, GENERAL TOLERANCE: DECIMALS      ANGLES .X ±0.38 [0.015]    X° ±3° .X ±0.25 [0.010]    .X° ±1.0° .XX ±0.13 [0.005]		DRAWN BY AND DATE JUSTIN XING 07-03-06
MATERIAL	CHECKED BY AND DATE JUSTIN XING 07-03-06	DRAWING NO. 157-25X36XX	
FINISH	APPROVED BY AND DATE KING CHIU 07-03-06 THIRD ANGLE PROJECTION 		REV A
SCALE: NONE	SIZE: A3	FILE NO.:	SHEET 6 OF 6

DO NOT SCALE DRAWING