

THE INFORMATION CONTAINED IN THIS DOCUMENT IS PROPRIETARY TO Y-S ELECTRONIC. ANY REPRODUCTION IN PART OR WHOLE WITHOUT PRIOR WRITTEN APPROVAL OR AUTHORIZATION OF Y-S ELECTRONIC IS STRICTLY PROHIBITED.

RoHS COMPLIANT

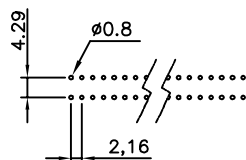
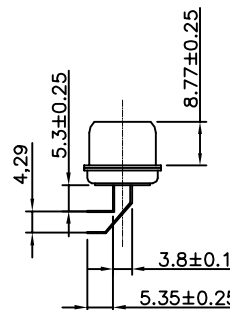
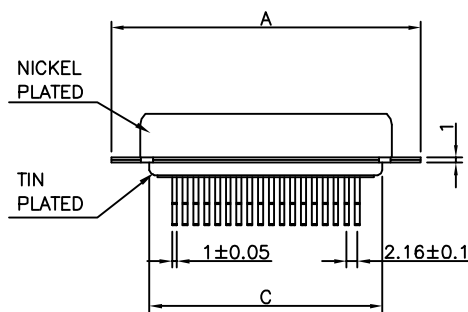
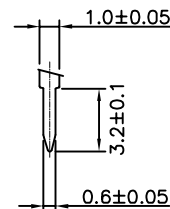
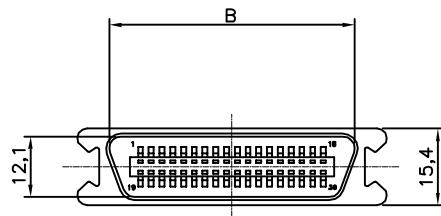
REVISIONS				
REV	ECN NO.	DESCRIPTION	APPROVED BY	DATE

Material & Finish
 SHELL: Steel
 PIN CONTACT:
 Phosphor Bronze/ Gold plated
 INSULATOR:
 PBT & Glass-fibre reinforced
 UL-94-V0
 CURRENT RATING: 1 Amp
 DIELECTRIC STRENGTH:
 AC 1000V Min.(for one minute)
 INSULATOR RESISTANCE:
 1000M Ω Min. (at 500V DC)
 CONTACT RESISTANCE
 25m Max. mated
 TEMPERATURE:
 -55°C to +105°C

Ordering Information

142b - $\frac{XX}{a} \frac{X}{b} \frac{X}{c} \frac{X}{d} \frac{X}{e} \frac{X}{f}$

- a. No. of Contacts
14, 24, 36, 50
- b. Contact Type
1: Male
2: Female
- c. Contact Plating
1: Selective Gold
2: 15u"
3: 30u"
- d. Insulator Color
1: Blue
2: Black
- e. Special Function
0: None
1: #4-40 Pan Screw (Standard)
2: #4-40 Hex Screw (4.75 x 11.8)
3: #4-40 Square Rivet Insert
4: M3 Rivet Insert
- f. Special Function
0: None
1: Ground strap(Both With #4-40 UNC Thread)
2: Ground Hook(Front #4-40 UNC Thread)



P.C.B. LAYOUT

CENTRONIC P.C.B. RIGHT ANGLE MALE 5.35mm TYPE

Dimensions

	A	B	C
14	38.8	26.6	22.7
24	49.3	36.3	33.6
36	62.1	49.3	46.8
50	77.2	64.4	62.0

DO NOT SCALE DRAWING

DIMENSIONS: <input type="checkbox"/> MM [INCH] <input type="checkbox"/> INCH [mm] <input checked="" type="checkbox"/> MM ONLY		CAD GENERATED DRAWING, DO NOT MANUALLY UPDATE	
UNLESS OTHERWISE SPECIFIED, GENERAL TOLERANCE: DECIMALS X: ±0.38 [0.015] .X: ±0.25 [0.010] .XX: ±0.13 [0.005]		DRAWN BY AND DATE JUSTIN XING 07-03-06	
ANGLES X°: ±3° .X°: ±10°		CHECKED BY AND DATE JUSTIN XING 07-03-06	
MATERIAL		APPROVED BY AND DATE MICHAEL HUANG 07-03-06	
FINISH		THIRD ANGLE PROJECTION	
		SCALE: 1 : 1	SIZE: A3



Y-S ELECTRONIC CO., LTD.
 No. 101, Sec. 1, Long-An Street,
 Lu-Chu, Taoyuan, Taiwan, R.O.C.
 TEL: +886-3-3609819 FAX: +886-3-3609817

TITLE 142b SERIES CENTRONIC CONNECTORS RIGHT ANGLE TYPE	
DRAWING NO. 142b-XXXXXXXX	REV A
FILE NO.	SHEET 1 OF 2

THE INFORMATION CONTAINED IN THIS DOCUMENT IS PROPRIETARY TO Y-S ELECTRONIC. ANY REPRODUCTION IN PART OR WHOLE WITHOUT PRIOR WRITTEN APPROVAL OR AUTHORIZATION OF Y-S ELECTRONIC IS STRICTLY PROHIBITED.

RoHS COMPLIANT

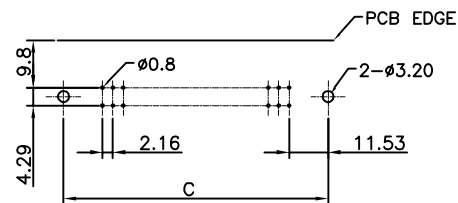
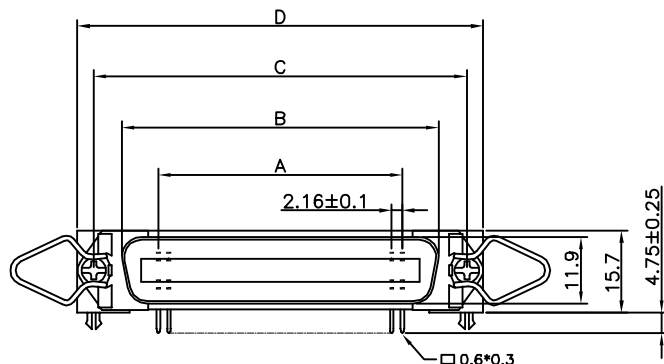
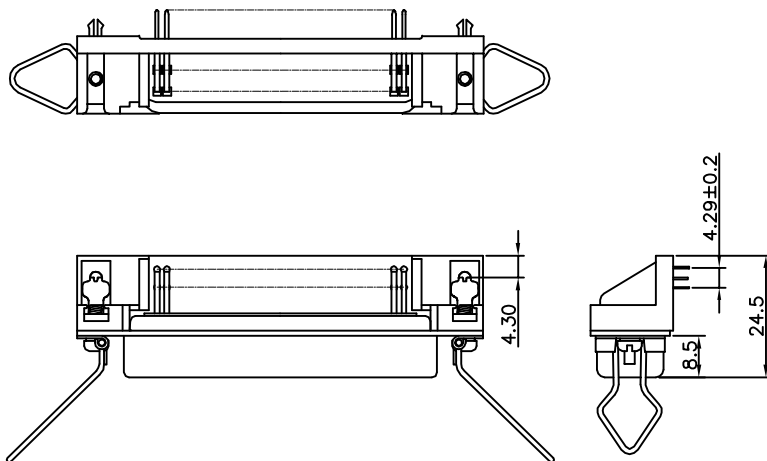
REVISIONS				
REV	ECN NO.	DESCRIPTION	APPROVED BY	DATE

Material & Finish
 SHELL: Steel
 PIN CONTACT:
 Phosphor Bronze/ Gold plated
 INSULATOR:
 PBT & Glass-fibre reinforced
 UL-94-V0
 CURRENT RATING: 1 Amp
 DIELECTRIC STRENGTH:
 AC 1000V Min.(for one minute)
 INSULATOR RESISTANCE:
 1000MΩ Min. (at 500V DC)
 CONTACT RESISTANCE
 25m Max. mated
 TEMPERATURE:
 -55°C to +105°C

Ordering Information

142b - $\frac{XX}{a} \frac{X}{b} \frac{X}{c} \frac{X}{d} \frac{X}{e} \frac{X}{f}$

- a. No. of Contacts
14, 24, 36, 50
- b. Contact Type
1: Male
2: Female
- c. Contact Plating
1: Selective Gold
2: 15u"
3: 30u"
- d. Insulator Color
1: Blue
2: Black
- e. Special Function
0: None
1: #4-40 Pan Screw (Standard)
2: #4-40 Hex Screw (4.75 x 11.8)
3: #4-40 Square Rivet Insert
4: M3 Rivet Insert
- f. Special Function
0: None
1: Ground strap(Both With #4-40 UNC Thread)
2: Ground Hook(Front #4-40 UNC Thread)



P.C.B. LAYOUT

CENTRONIC P.C.B. RIGHT ANGLE FEMALE WITH SPRING LATCH SCREW LOCK GROUND HOOK

Dimensions

Positions	A	B	C	D
14	12.96	25.6	36.0	43.9
24	23.76	36.3	46.8	54.7
36	36.72	49.3	59.6	67.7
50	51.84	64.4	74.9	82.8

DIMENSIONS: <input type="checkbox"/> MM [INCH] <input type="checkbox"/> INCH [mm] <input checked="" type="checkbox"/> MM ONLY	CAD GENERATED DRAWING, DO NOT MANUALLY UPDATE DRAWN BY AND DATE JUSTIN XING 07-03-06
UNLESS OTHERWISE SPECIFIED, GENERAL TOLERANCE: DECIMALS X: ±0.38 [0.015] .X: ±0.25 [0.010] .XX: ±0.13 [0.005]	CHECKED BY AND DATE JUSTIN XING 07-03-06 APPROVED BY AND DATE MICHAEL HUANG 07-03-06
MATERIAL	THIRD ANGLE PROJECTION
FINISH	SCALE: 1:1 SIZE: A3



Y-S ELECTRONIC CO., LTD.
 No. 101, Sec. 1, Long-An Street,
 Lu-Chu, Taoyuan, Taiwan, R.O.C.
 TEL: +886-3-3609819 FAX: +886-3-3609817

TITLE 142b SERIES CENTRONIC CONNECTORS RIGHT ANGLE TYPE	DRAWING NO. 142b-XXXXXXXX	REV A
FILE NO.	SHEET 2 OF 2	

DO NOT SCALE DRAWING