

THE INFORMATION CONTAINED IN THIS DOCUMENT IS PROPRIETARY TO Y-S ELECTRONIC, ANY REPRODUCTION IN PART OR WHOLE WITHOUT PRIOR WRITTEN APPROVAL OR AUTHORIZATION OF Y-S ELECTRONIC IS STRICTLY PROHIBITED.

RoHS COMPLIANT

REVISIONS				
REV	ECN NO.	DESCRIPTION	APPROVED BY	DATE

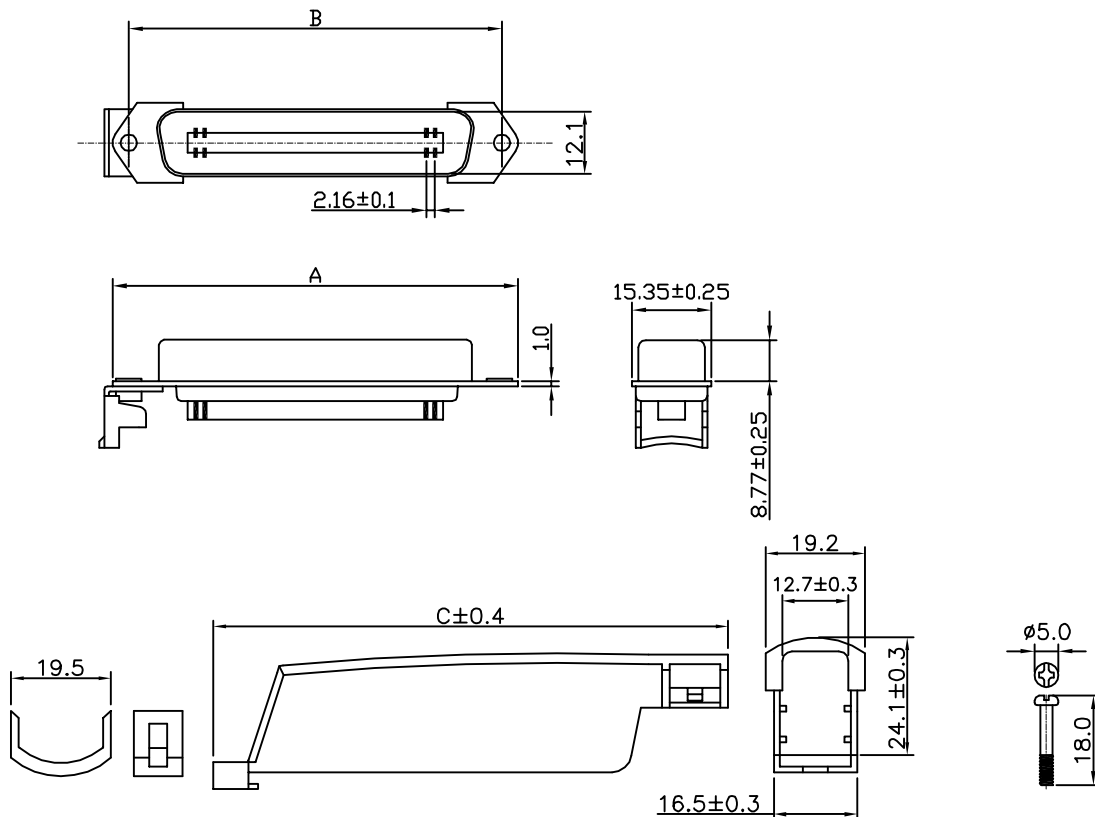
Material & finish

SHELL: Steel  
 Zinc plated, Tin plated  
 or Nickel plated steel  
 PIN CONTACT:  
 Phosphor bronze or brass/  
 Gold plated  
 INSULATOR:  
 PBT & Glass-fibre reinforced  
 UL-94-V0  
 NUMBER OF CONTACT: 36,50  
 CURRENT RATING: 5 Amp  
 DIELECTRIC STRENGTH:  
 1000V for one minute  
 INSULATOR RESISTANCE:  
 1000M Ω Min. (at 500V DC)  
 TEMPERATURE:  
 -55°C to +105°C

Ordering Information

140a -  $\frac{XX}{a} \frac{X}{b} \frac{X}{c} \frac{X}{d} \frac{X}{e} \frac{X}{f}$


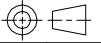
- a. No. Of Pins  
 36: 36 positions  
 50: 50 positions
- b. Contact Type  
 1: plug  
 2: Socket
- c. Insulator Color  
 1: Blue
- d. Contact Plating  
 1: Gold Flash Selective Gold  
 2: 15u' Selective Gold on Contact  
 3: 30u' Selective Gold on Contact
- e. Shell  
 1: Right Angle Metal Cover (50pin only)  
 2: Right Angle Plastic Cover
- f. Special Function  
 1: Standard  
 2: Opposite Cable Outlet



Dimensinal

Circuits	A	B	C
36	67.7mm	59.7mm	90.1mm
50	82.8mm	74.9mm	103.7mm

CENTRONIC SOLDER TYPE MALE  
 ADDITIONAL INSULATOR(PLASTIC COVER)

DIMENSIONS: <input type="checkbox"/> MM [INCH] <input type="checkbox"/> INCH [mm] <input checked="" type="checkbox"/> MM ONLY	CAD GENERATED DRAWING, DO NOT MANUALLY UPDATE	 <b>Y-S ELECTRONIC CO., LTD.</b> No. 101, Sec. 1, Long-An Street, Lu-Chu, Taoyuan, Taiwan, R.O.C. TEL: +886-3-3609819 FAX: +886-3-3609817		
	UNLESS OTHERWISE SPECIFIED, GENERAL TOLERANCE: DECIMALS X: ±0.38 [0.015] X*: ±3° .X ±0.25 [0.010] .X* ±1.0° .XX ±0.13 [0.005]		DRAWN BY AND DATE JUSTIN XING 07-03-06 CHECKED BY AND DATE JUSTIN XING 07-03-06 APPROVED BY AND DATE MICHAEL HUANG 07-03-06 THIRD ANGLE PROJECTION	TITLE 140a SERIES CENTRONIC CONNECTORS SOLKER TYPE WITH RIGHT ANGLE OR STRAIGHT METAL OR PLASTIC HOOD
MATERIAL	SCALE: 1:1 SIZE: A3		DRAWING NO. 140a-XX1X1	REV A
FINISH			FILE NO.	SHEET 1 OF 4

DO NOT SCALE DRAWING

THE INFORMATION CONTAINED IN THIS DOCUMENT IS PROPRIETARY TO Y-S ELECTRONIC, ANY REPRODUCTION IN PART OR WHOLE WITHOUT PRIOR WRITTEN APPROVAL OR AUTHORIZATION OF Y-S ELECTRONIC IS STRICTLY PROHIBITED.

RoHS COMPLIANT

REVISIONS				
REV	ECN NO.	DESCRIPTION	APPROVED BY	DATE

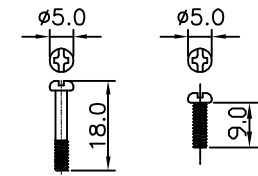
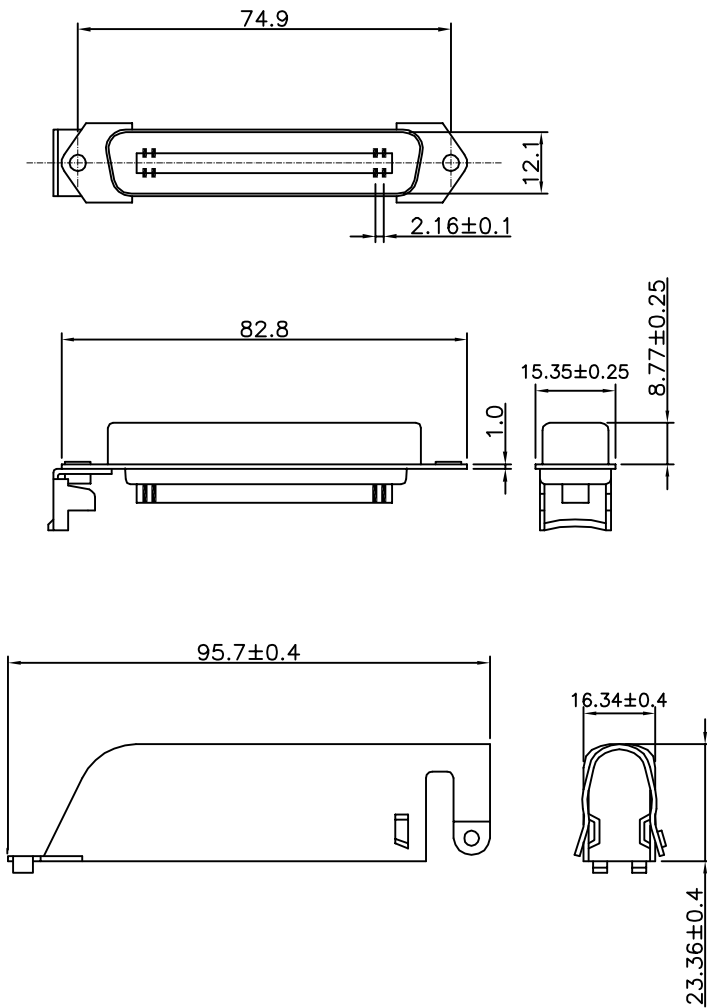
Material & finish

SHELL: Steel  
 Zinc plated, Tin plated  
 or Nickel plated steel  
 PIN CONTACT:  
 Phosphor bronze or brass/  
 Gold plated  
 INSULATOR:  
 PBT & Glass-fibre reinforced  
 UL-94-V0  
 NUMBER OF CONTACT: 36,50  
 CURRENT RATING: 5 Amp  
 DIELECTRIC STRENGTH:  
 1000V for one minute  
 INSULATOR RESISTANCE:  
 1000M Ω Min. (at 500V DC)  
 TEMPERATURE:  
 -55°C to +105°C

Ordering Information

140a -  $\frac{XX}{a} \frac{X}{b} \frac{X}{c} \frac{X}{d} \frac{X}{e} \frac{X}{f}$

- a. No. Of Pins  
 36: 36 positions  
 50: 50 positions
- b. Contact Type  
 1: plug  
 2: Socket
- c. Insulator Color  
 1: Blue
- d. Contact Plating  
 1: Gold Flash Selective Gold  
 2: 15u' Selective Gold on Contact  
 3: 30u' Selective Gold on Contact
- e. Shell  
 1: Right Angle Metal Cover (50pin only)  
 2: Right Angle Plastic Cover
- f. Special Function  
 1: Standard  
 2: Opposite Cable Outlet



CENTRONIC SOLDER TYPE MALE 50PIN  
 ADDITIONAL INSULATOR(METAL COVER)

DO NOT SCALE DRAWING

DIMENSIONS: <input type="checkbox"/> MM [INCH] <input type="checkbox"/> INCH [mm] <input checked="" type="checkbox"/> MM ONLY	CAD GENERATED DRAWING, DO NOT MANUALLY UPDATE	<b>Y-S ELECTRONIC CO., LTD.</b> No. 101, Sec. 1, Long-An Street, Lu-Chu, Taoyuan, Taiwan, R.O.C. TEL: +886-3-3609819 FAX: +886-3-3609817	
	UNLESS OTHERWISE SPECIFIED, GENERAL TOLERANCE: DECIMALS      ANGLES X: ±0.38 [0.015]    X°: ±3° .X: ±0.25 [0.010]    .X°: ±1.0° .XX: ±0.13 [0.005]		DRAWN BY AND DATE JUSTIN XING 07-03-06
MATERIAL FINISH	CHECKED BY AND DATE JUSTIN XING 07-03-06  APPROVED BY AND DATE MICHAEL HUANG 07-03-06 THIRD ANGLE PROJECTION 	DRAWING NO. <b>140a-501X2</b>	REV <b>A</b>
SCALE: 1 : 1	SIZE: A3	FILE NO.:	SHEET 3 OF 4