

THE INFORMATION CONTAINED IN THIS DOCUMENT IS PROPRIETARY TO Y-S ELECTRONIC, ANY REPRODUCTION IN PART OR WHOLE WITHOUT PRIOR WRITTEN APPROVAL OR AUTHORIZATION OF Y-S ELECTRONIC IS STRICTLY PROHIBITED.

RoHS COMPLIANT

REVISIONS

REV	ECN NO.	DESCRIPTION	APPROVED BY	DATE

Product Specification

MATERIAL

Insulator: Glass-Fiber P.B.T(UL94V-0)
 Contact: Phosphor Bronze (P) or Brass (B)
 Plating: Glod Plating Over Nickel.

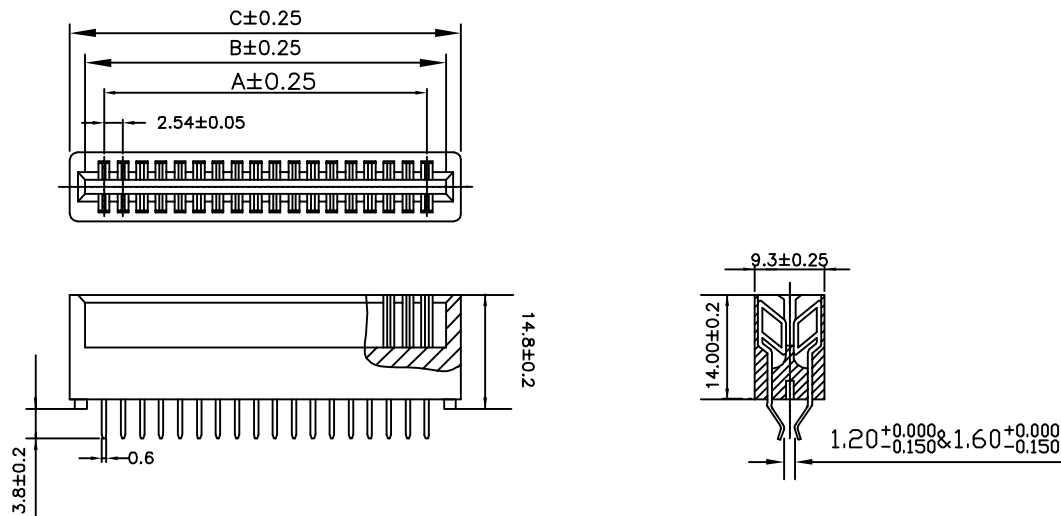
SPECIFICATIONS

Insulation Resistance: 5000 M Ω min at 500 VDC
 Dielectric Withstanding Volatge: 1000 V-AC/1 min
 Current Rating: 3A
 ContactResistance: 20m Ω max
 Operating Temperature: -55 $^{\circ}$ c to 105 $^{\circ}$ c
 Insartion Force: 340g max per pair
 Withdrawal Force: 28g min per pair

Ordering Information

134a - $\frac{XXX}{a} \frac{X}{b} \frac{X}{c} \frac{X}{d} \frac{X}{e}$

- a. No. Of Pins
- b. Contact Plating
 - 0: Gold flash selective gold(standard)
 - 1: 15u' selective gold on contact
 - 2: 30u' selective gold on contact
 - 3: Gold flash full gold
- c. Contact Direction
 - 0: straddle pin type
 - 1: dip solder right angle type
 - 2: dip solder 180 $^{\circ}$ type
- d. Insulator Color
 - 0: Black
- e. Contact Material
 - 0: Brass
 - 1: Phosphor Bronze


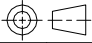


CONNECTOR PITCH 2.54mm FOR PCB DIP SOLDER
 STRADDLE PIN TYPE

DIMENSIONS

Circuits	A	B	C	Circuits	A	B	C
6	5.08	10.66	14.22	48	58.42	64.00	67.56
8	7.62	13.20	16.76	50	60.96	66.54	70.10
10	10.16	15.74	19.30	52	63.50	69.08	72.64
12	12.70	18.28	21.84	54	66.04	71.62	75.18
14	15.24	20.82	24.38	56	68.58	74.16	77.72
16	17.78	23.36	26.92	58	71.12	76.70	80.26
18	20.32	25.90	29.46	60	73.66	79.24	82.80
20	22.86	28.44	32.00	62	76.20	81.78	85.34
22	25.40	30.98	34.54	64	78.74	84.32	87.88
24	27.94	33.52	37.08	66	81.28	86.86	90.42
26	30.48	36.06	39.62	68	83.82	89.40	92.96
28	33.02	38.60	42.16	70	86.36	91.94	95.50
30	35.56	41.14	44.70	72	88.90	94.48	98.04
32	38.10	43.68	47.24				
34	40.64	46.22	49.78				
36	43.18	48.76	52.32				
38	45.72	51.30	54.86				
40	48.26	53.84	57.40				
42	50.80	56.38	59.94				
44	53.34	58.92	62.48				
46	55.88	61.46	65.02				

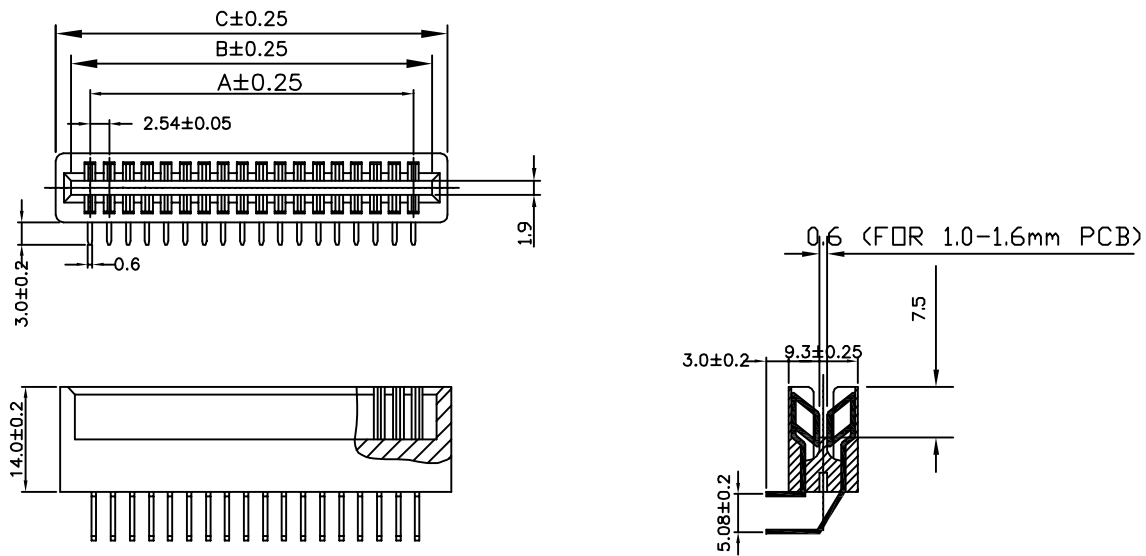
DO NOT SCALE DRAWING

DIMENSIONS: <input type="checkbox"/> MM [INCH] <input type="checkbox"/> INCH [mm] <input checked="" type="checkbox"/> MM ONLY	CAD GENERATED DRAWING, DO NOT MANUALLY UPDATE DRAWN BY AND DATE JUSTIN XING 11-21-07	 Y-S ELECTRONIC CO., LTD. No. 101, Sec. 1, Long-An Street, Lu-Chu, Taoyuan, Taiwan, R.O.C. TEL: +886-3-3609819 FAX: +886-3-3609817
CHECKED BY AND DATE JUSTIN XING 11-21-07 APPROVED BY AND DATE MICHAEL HUANG 11-21-07 THIRD ANGLE PROJECTION 	TITLE 134a SERIES EDGE CARD CONNECTOR SLOT 2.54mm	DRAWING NO. 134a-XXXXXXX
MATERIAL FINISH	SCALE: 3 : 2 SIZE: A3	REV A SHEET 1 OF 3

THE INFORMATION CONTAINED IN THIS DOCUMENT IS PROPRIETARY TO Y-S ELECTRONIC, ANY REPRODUCTION IN PART OR WHOLE WITHOUT PRIOR WRITTEN APPROVAL OR AUTHORIZATION OF Y-S ELECTRONIC IS STRICTLY PROHIBITED.

RoHS COMPLIANT

REVISIONS				
REV	ECN NO.	DESCRIPTION	APPROVED BY	DATE



CONNECTOR PITCH 2.54mm FOR PCB DIP SOLDER
RIGHT ANGLE TYPE

DIMENSIONS

Circuits	A	B	C	Circuits	A	B	C
6	5.08	10.66	14.22	48	58.42	64.00	67.56
8	7.62	13.20	16.76	50	60.96	66.54	70.10
10	10.16	15.74	19.30	52	63.50	69.08	72.64
12	12.70	18.28	21.84	54	66.04	71.62	75.18
14	15.24	20.82	24.38	56	68.58	74.16	77.72
16	17.78	23.36	26.92	58	71.12	76.70	80.26
18	20.32	25.90	29.46	60	73.66	79.24	82.80
20	22.86	28.44	32.00	62	76.20	81.78	85.34
22	25.40	30.98	34.54	64	78.74	84.32	87.88
24	27.94	33.52	37.08	66	81.28	86.86	90.42
26	30.48	36.06	39.62	68	83.82	89.40	92.96
28	33.02	38.60	42.16	70	86.36	91.94	95.50
30	35.56	41.14	44.70	72	88.90	94.48	98.04
32	38.10	43.68	47.24				
34	40.64	46.22	49.78				
36	43.18	48.76	52.32				
38	45.72	51.30	54.86				
40	48.26	53.84	57.40				
42	50.80	56.38	59.94				
44	53.34	58.92	62.48				
46	55.88	61.46	65.02				

Product Specification

MATERIAL

Insulator: Glass-Fiber P.B.T(UL94V-0)
Contact: Phosphor Bronze (P) or Brass (B)
Plating: Glod Plating Over Nickel.

SPECIFICATIONS


Insulation Resistance: 5000 M Ω min at 500 VDC
Dielectric Withstanding Volatge: 1000 V-AC/1 min
Current Rating: 3A
Contact Resistance: 20m Ω max
Operating Temperature: -55 $^{\circ}$ c to 105 $^{\circ}$ c
Insartion Force: 340g max per pair
Withdrawal Force: 28g min per pair

Ordering Information

134 α - $\frac{XXX}{a} \frac{X}{b} \frac{X}{c} \frac{X}{d} \frac{X}{e}$

- a. No. Of Pins
- b. Contact Plating
 - 0: Gold flash selective gold(standard)
 - 1: 15u' selective gold on contact
 - 2: 30u' selective gold on contact
 - 3: Gold flash full gold
- c. Contact Direction
 - 0: straddle pin type
 - 1: dip solder right angle type
 - 2: dip solder 180 $^{\circ}$ type
- d. Insulator Color
 - 0: Black
- e. Contact Material
 - 0: Brass
 - 1: Phosphor Bronze

DO NOT SCALE DRAWING

DIMENSIONS: <input type="checkbox"/> MM [INCH] <input type="checkbox"/> INCH [mm] <input checked="" type="checkbox"/> MM ONLY	CAD GENERATED DRAWING, DO NOT MANUALLY UPDATE DRAWN BY AND DATE JUSTIN XING 11-21-07	 Y-S ELECTRONIC CO., LTD. No. 101, Sec. 1, Long-An Street, Lu-Chu, Taoyuan, Taiwan, R.O.C. TEL: +886-3-3609819 FAX: +886-3-3609817
MATERIAL FINISH	SCALE: 3 : 2 SIZE: A3	DRAWING NO. 134 α -XXXXXXXXX REV A
FILE NO.:		SHEET 2 OF 3

THE INFORMATION CONTAINED IN THIS DOCUMENT IS PROPRIETARY TO Y-S ELECTRONIC, ANY REPRODUCTION IN PART OR WHOLE WITHOUT PRIOR WRITTEN APPROVAL OR AUTHORIZATION OF Y-S ELECTRONIC IS STRICTLY PROHIBITED.

RoHS COMPLIANT

REVISIONS

REV	ECN NO.	DESCRIPTION	APPROVED BY	DATE

Product Specification

MATERIAL

Insulator: Glass-Fiber P.B.T(UL94V-0)
 Contact: Phosphor Bronze (P) or Brass (B)
 Plating: Glod Plating Over Nickel.

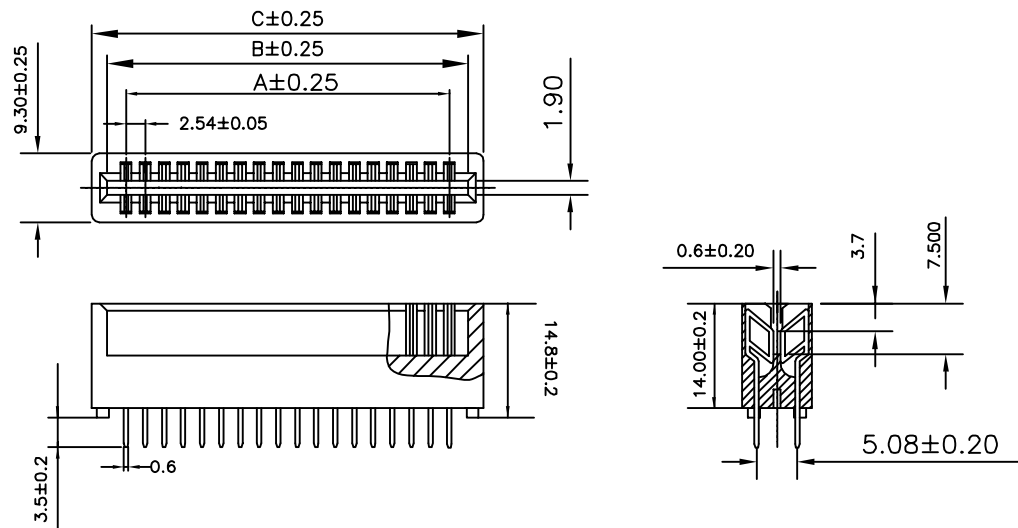
SPECIFICATIONS

Insulation Resistance: 5000 M Ω min at 500 VDC
 Dielectric Withstanding Volatge: 1000 V-AC/1 min
 Current Rating: 3A
 Contact Resistance: 20m Ω max
 Operating Temperature: -55 $^{\circ}$ C to 105 $^{\circ}$ C
 Insartion Force: 340g max per pair
 Withdrawal Force: 28g min per pair

Ordering Information

134a - $\frac{XXX}{a} \frac{X}{b} \frac{X}{c} \frac{X}{d} \frac{X}{e}$

- a. No. Of Pins
- b. Contact Plating
 - 0: Gold flash selective gold(standard)
 - 1: 15 μ ' selective gold on contact
 - 2: 30 μ ' selective gold on contact
 - 3: Gold flash full gold
- c. Contact Direction
 - 0: straddle pin type
 - 1: dip solder right angle type
 - 2: dip solder 180 $^{\circ}$ type
- d. Insulator Color
 - 0: Black
- e. Contact Material
 - 0: Brass
 - 1: Phosphor Bronze


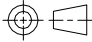


CONNECTOR PITCH 2.54mm FOR PCB DIP SOLDER
 DIP SOLDER

DIMENSIONS

Circuits	A	B	C	Circuits	A	B	C
6	5.08	10.66	14.22	48	58.42	64.00	67.56
8	7.62	13.20	16.76	50	60.96	66.54	70.10
10	10.16	15.74	19.30	52	63.50	69.08	72.64
12	12.70	18.28	21.84	54	66.04	71.62	75.18
14	15.24	20.82	24.38	56	68.58	74.16	77.72
16	17.78	23.36	26.92	58	71.12	76.70	80.26
18	20.32	25.90	29.46	60	73.66	79.24	82.80
20	22.86	28.44	32.00	62	76.20	81.78	85.34
22	25.40	30.98	34.54	64	78.74	84.32	87.88
24	27.94	33.52	37.08	66	81.28	86.86	90.42
26	30.48	36.06	39.62	68	83.82	89.40	92.96
28	33.02	38.60	42.16	70	86.36	91.94	95.50
30	35.56	41.14	44.70	72	88.90	94.48	98.04
32	38.10	43.68	47.24				
34	40.64	46.22	49.78				
36	43.18	48.76	52.32				
38	45.72	51.30	54.86				
40	48.26	53.84	57.40				
42	50.80	56.38	59.94				
44	53.34	58.92	62.48				
46	55.88	61.46	65.02				

DO NOT SCALE DRAWING

DIMENSIONS: <input type="checkbox"/> MM [INCH] <input type="checkbox"/> INCH [mm] <input checked="" type="checkbox"/> MM ONLY	CAD GENERATED DRAWING, DO NOT MANUALLY UPDATE DRAWN BY AND DATE JUSTIN XING 11-21-07	 Y-S ELECTRONIC CO., LTD. No. 101, Sec. 1, Long-An Street, Lu-Chu, Taoyuan, Taiwan, R.O.C. TEL: +886-3-3609819 FAX: +886-3-3609817
CHECKED BY AND DATE JUSTIN XING 11-21-07 APPROVED BY AND DATE MICHAEL HUANG 11-21-07 THIRD ANGLE PROJECTION 	TITLE 134a SERIES EDGE CARD CONNECTOR SLOT 2.54mm	DRAWING NO. 134a-XXXXXXX
MATERIAL FINISH	SCALE: 3 : 2 SIZE: A3	REV A SHEET 3 OF 3