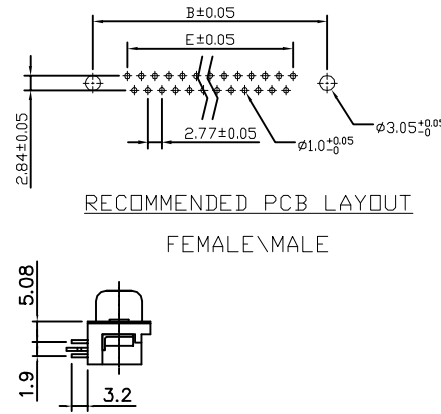
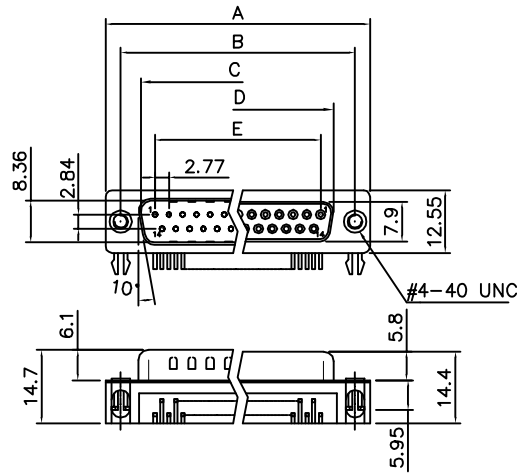


THE INFORMATION CONTAINED IN THIS DOCUMENT IS PROPRIETARY TO Y-S ELECTRONIC. ANY REPRODUCTION IN PART OR WHOLE WITHOUT PRIOR WRITTEN APPROVAL OR AUTHORIZATION OF Y-S ELECTRONIC IS STRICTLY PROHIBITED.

RoHS COMPLIANT

REVISIONS				
REV	ECN NO.	DESCRIPTION	APPROVED BY	DATE
A				



5.08mm Footprint

Dimensions					
Positions	A	B	C	D	E
9	30.81	24.99	16.92	16.33	11.08
15	39.20	33.30	25.25	24.70	19.39
25	53.05	47.04	38.96	38.40	33.24
37	69.40	63.50	55.42	54.80	49.86

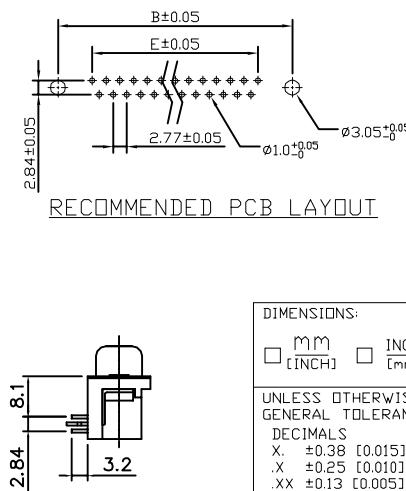
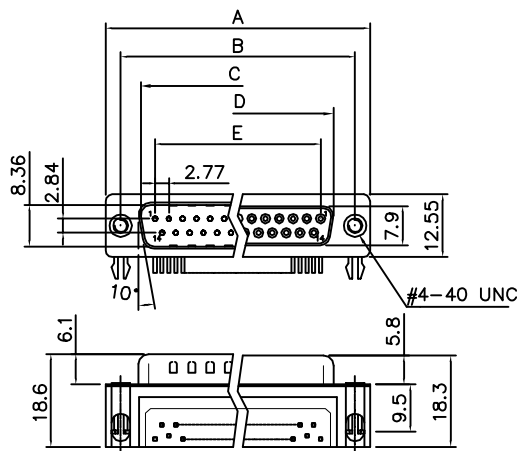
Product Specification

Material

- Insulator : Glass-Filled Thermoplastic PBT, UL94V-0
- Contact : Brass
- Shell : Steel, 100u" Tin Over 50u" min Copper
- Clinch Nut : Brass, Nickel Plated.
- Boardlock : Brass, Tin Plated.
- Screwlock : Brass, Nickel Plated.


Electrical

- Contact Resistance : 20 milliohms Max at 1 AMP DC.
- Insulation Resistance : 1000 megohms at 500 VDC
- Dielectric Withstanding Voltage : 1000 VAC/rms 60Hz for 1 minute
- Current Rating : 3 AMP
- Volatge Rating : 250 VAC/rms 60Hz



7.2mm Footprint

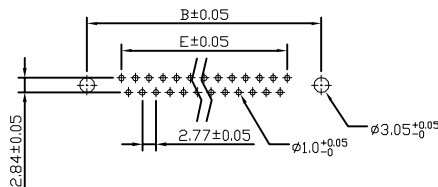
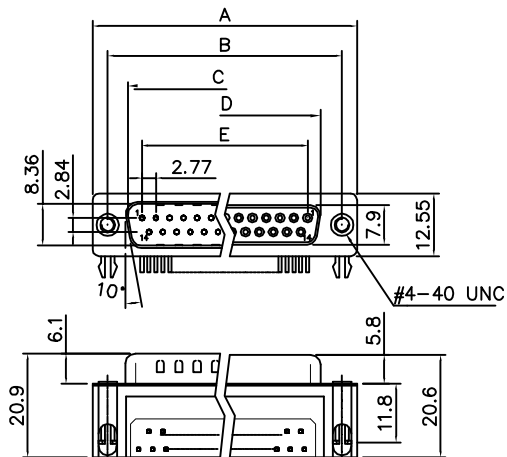
DO NOT SCALE DRAWING

DIMENSIONS: <input type="checkbox"/> MM [INCH] <input type="checkbox"/> INCH [mm] <input checked="" type="checkbox"/> MM ONLY	CAD GENERATED DRAWING, DO NOT MANUALLY UPDATE DRAWN BY AND DATE JUSTIN XING 12-19-05	 Y-S ELECTRONIC CO., LTD. No. 101, Sec. 1, Long-An Street, Lu-Chu, Taoyuan, Taiwan, R.O.C. TEL: +886-3-3609819 FAX: +886-3-3609817
	UNLESS OTHERWISE SPECIFIED, GENERAL TOLERANCE: DECIMALS ANGLES .X ±0.38 [0.015] X° ±3° .XX ±0.25 [0.010] .X° ±10° .XX ±0.13 [0.005]	
MATERIAL FINISH	SCALE: 1 : 1 SIZE: A3	DRAWING NO. 107-XXXXXXXXXX REV A
FILE NO.:		SHEET 1 OF 6

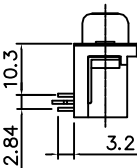
THE INFORMATION CONTAINED IN THIS DOCUMENT IS PROPRIETARY TO Y-S ELECTRONIC. ANY REPRODUCTION IN PART OR WHOLE WITHOUT PRIOR WRITTEN APPROVAL OR AUTHORIZATION OF Y-S ELECTRONIC IS STRICTLY PROHIBITED.

RoHS COMPLIANT

REVISIONS				
REV	ECN NO.	DESCRIPTION	APPROVED BY	DATE
A				

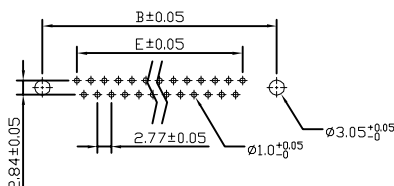
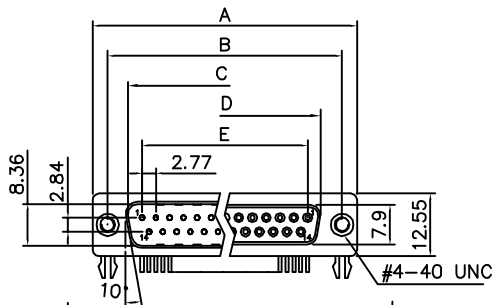


RECOMMENDED PCB LAYOUT
FEMALE\MALE

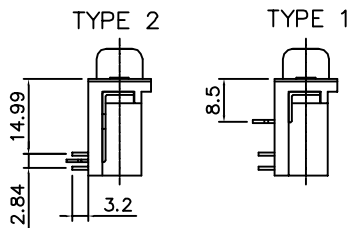


9.4mm Footprint

Dimensions					
Positions	A	B	C	D	E
9	30.81	24.99	16.92	16.33	11.08
15	39.20	33.30	25.25	24.70	19.39
25	53.05	47.04	38.96	38.40	33.24
37	69.40	63.50	55.42	54.80	49.86



RECOMMENDED PCB LAYOUT



13.84mm Footprint

Product Specification

Material

Insulator : Glass-Filled Thermoplastic PBT, UL94V-0
Contact : Brass
Shell : Steel, 100u" Tin Over 50u" min Copper
Clinch Nut : Brass, Nickel Plated.
Boardlock : Brass, Tin Plated.
Screwlock : Brass, Nickel Plated.

Electrical

Contact Resistance : 20 milliohms
Max at 1 AMP DC.
Insulation Resistance : 1000
megohms at 500 VDC
Dielectric Withstanding Voltage :
1000 VAC/rms 60Hz for 1 minute
Current Rating : 3 AMP
Voltage Rating : 250 VAC/rms 60Hz

DO NOT SCALE DRAWING

DIMENSIONS:	
<input type="checkbox"/> MM [INCH]	<input type="checkbox"/> INCH [mm]
<input checked="" type="checkbox"/> MM ONLY	
UNLESS OTHERWISE SPECIFIED, GENERAL TOLERANCE:	
DECIMALS	ANGLES
.X ±0.38 [0.015]	X° ±3°
.XX ±0.25 [0.010]	.X° ±1.0°
.XXX ±0.13 [0.005]	
MATERIAL	
FINISH	

CAD GENERATED DRAWING, DO NOT MANUALLY UPDATE	
DRAWN BY AND DATE JUSTIN XING 12-19-05	
CHECKED BY AND DATE JUSTIN XING 12-19-05	
APPROVED BY AND DATE KING CHIU 12-19-05	
THIRD ANGLE PROJECTION	
SCALE: 1 : 1	SIZE: A3



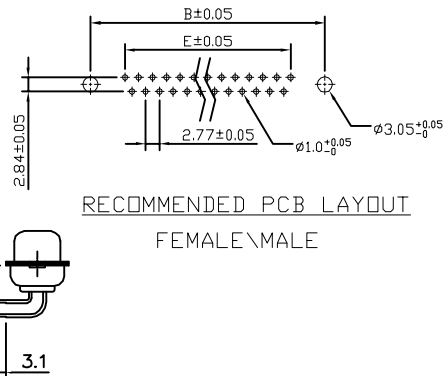
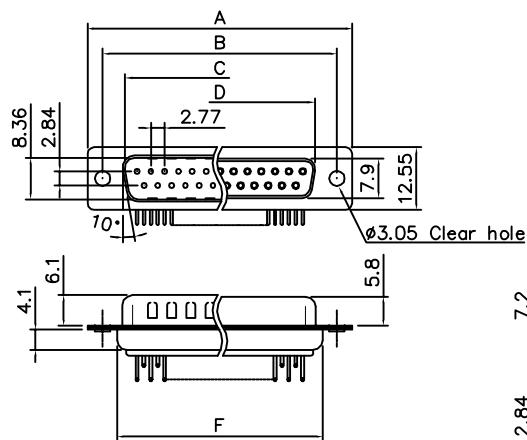
Y-S ELECTRONIC CO., LTD.
No. 101, Sec. 1, Long-An Street,
Lu-Chu, Taoyuan, Taiwan, R.O.C.
TEL: +886-3-3609819 FAX: +886-3-3609817

TITLE 107 SERIES D-SUB, RIGHT ANGLE TYPE	
DRAWING NO. 107-XXXXXXXXXX	REV A
FILE NO.	SHEET 2 OF 6

THE INFORMATION CONTAINED IN THIS DOCUMENT IS PROPRIETARY TO Y-S ELECTRONIC, ANY REPRODUCTION IN PART OR WHOLE WITHOUT PRIOR WRITTEN APPROVAL OR AUTHORIZATION OF Y-S ELECTRONIC IS STRICTLY PROHIBITED.

RoHS COMPLIANT

REVISIONS				
REV	ECN NO.	DESCRIPTION	APPROVED BY	DATE
A				



Product Specification

Material

Insulator : Glass-Filled Thermoplastic PBT, UL94V-0

Contact : Brass

Shell : Steel, 100u" Tin Over 50u" min Copper

Clinch Nut : Brass, Nickel Plated.

Boardlock : Brass, Tin Plated.

Screwlock : Brass, Nickel Plated.

Electrical

Contact Resistance : 20 milliohms

Max at 1 AMP DC.

Insulation Resistance : 1000

megohms at 500 VDC

Dielectric Withstanding Voltage :

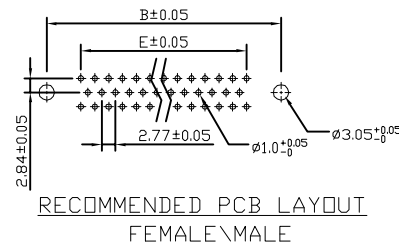
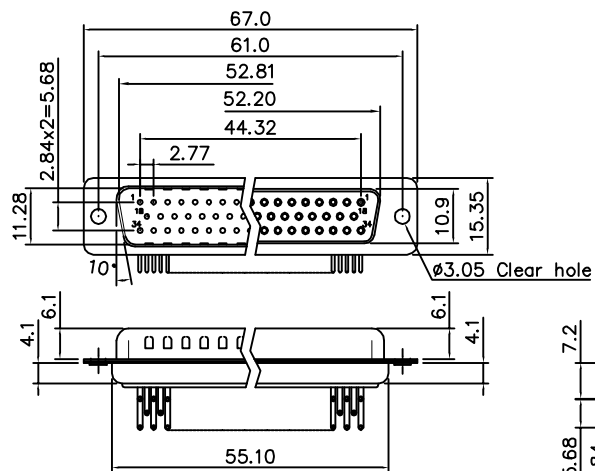
1000 VAC/rms 60Hz for 1 minute

Current Rating : 3 AMP

Volatge Rating : 250 VAC/rms 60Hz

Dimensions 7.2mm Footprint Machined Pin (W/O Rear Cover)

Positions	A	B	C	D	E	F
9	30.81	24.99	16.92	16.33	11.08	19.20
15	39.20	33.30	25.25	24.70	19.39	27.70
25	53.05	47.04	38.96	38.40	33.24	41.10
37	69.40	63.50	55.42	54.80	49.86	57.30



50 Positions Machined Pin (W/O Rear Cover)

DO NOT SCALE DRAWING

DIMENSIONS:	
<input type="checkbox"/> MM [INCH]	<input type="checkbox"/> INCH [mm]
<input type="checkbox"/> MM ONLY	<input checked="" type="checkbox"/> MM ONLY
UNLESS OTHERWISE SPECIFIED, GENERAL TOLERANCE:	
DECIMALS	ANGLES
.X ±0.38 [0.015]	X° ±3°
.X ±0.25 [0.010]	.X° ±1.0°
.XX ±0.13 [0.005]	
MATERIAL	
FINISH	

CAD GENERATED DRAWING, DO NOT MANUALLY UPDATE	
DRAWN BY AND DATE	
JUSTIN XING 12-19-05	
CHECKED BY AND DATE	
JUSTIN XING 12-19-05	
APPROVED BY AND DATE	
KING CHIU 12-19-05	
THIRD ANGLE PROJECTION	
SCALE:	SIZE: A3
1 : 1	



Y-S ELECTRONIC CO., LTD.

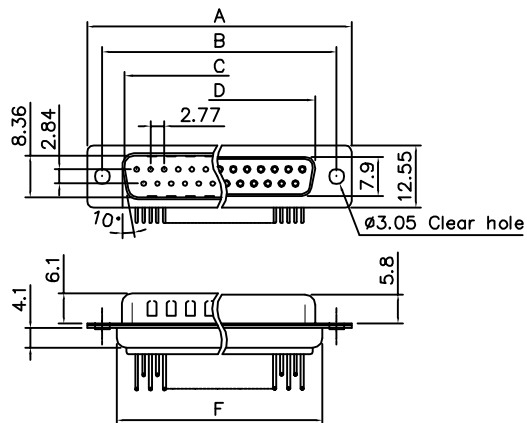
No. 101, Sec. 1, Long-An Street, Lu-Chu, Taoyuan, Taiwan, R.O.C. TEL: +886-3-3609819 FAX: +886-3-3609817

TITLE	
107 SERIES	
D-SUB RIGHT ANGLE TYPE	
DRAWING NO.	REV
107-XXXXXXXXXX	A
FILE NO.	SHEET 3 OF 6

THE INFORMATION CONTAINED IN THIS DOCUMENT IS PROPRIETARY TO Y-S ELECTRONIC. ANY REPRODUCTION IN PART OR WHOLE WITHOUT PRIOR WRITTEN APPROVAL OR AUTHORIZATION OF Y-S ELECTRONIC IS STRICTLY PROHIBITED.

RoHS COMPLIANT

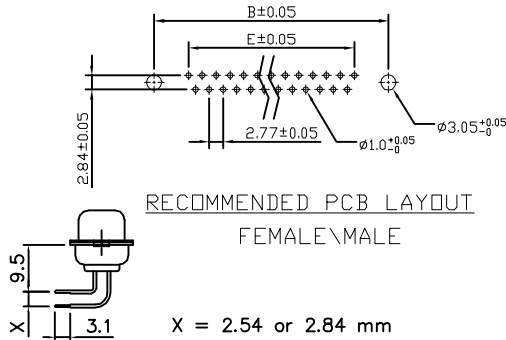
REVISIONS				
REV	ECN NO.	DESCRIPTION	APPROVED BY	DATE
A				



9.4mm Footprint Machined Pin (W/O Rear Cover)

Dimensions

Positions	A	B	C	D	E	F
9	30.81	24.99	16.92	16.33	11.08	19.20
15	39.20	33.30	25.25	24.70	19.39	27.70
25	53.05	47.04	38.96	38.40	33.24	41.10
37	69.40	63.50	55.42	54.80	49.86	57.30



RECOMMENDED PCB LAYOUT
FEMALE\MALE

X = 2.54 or 2.84 mm

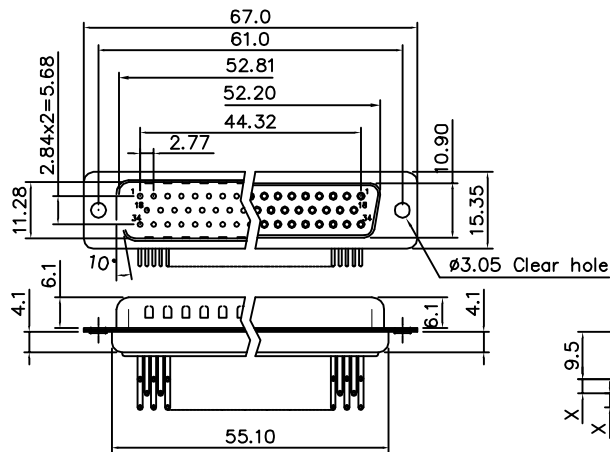
Product Specification

Material

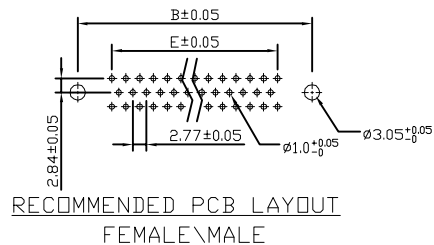
- Insulator : Glass-Filled Thermoplastic PBT, UL94V-0
- Contact : Brass
- Shell : Steel, 100u" Tin Over 50u" min Copper
- Clinch Nut : Brass, Nickel Plated.
- Boardlock : Brass, Tin Plated.
- Screwlock : Brass, Nickel Plated.

Electrical

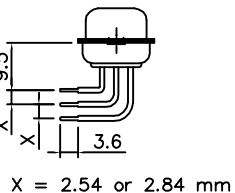
- Contact Resistance : 20 milliohms
Max at 1 AMP DC.
- Insulation Resistance : 1000
megohms at 500 VDC
- Dielectric Withstanding Voltage :
1000 VAC/rms 60Hz for 1 minute
- Current Rating : 3 AMP
- Volatge Rating : 250 VAC/rms 60Hz



50 Positions Machined Pin (W/O Rear Cover)



RECOMMENDED PCB LAYOUT
FEMALE\MALE



X = 2.54 or 2.84 mm

DO NOT SCALE DRAWING

DIMENSIONS: <input type="checkbox"/> MM [INCH] <input type="checkbox"/> INCH [mm] <input checked="" type="checkbox"/> MM ONLY	CAD GENERATED DRAWING, DO NOT MANUALLY UPDATE	Y-S ELECTRONIC CO., LTD. No. 101, Sec. 1, Long-An Street, Lu-Chu, Taoyuan, Taiwan, R.O.C. TEL: +886-3-3609819 FAX: +886-3-3609817
	DRAWN BY AND DATE JUSTIN XING 12-19-05	
UNLESS OTHERWISE SPECIFIED, GENERAL TOLERANCE: DECIMALS ANGLES X: ±0.38 [0.015] X°: ±3° .X: ±0.25 [0.010] .X°: ±1.0° .XX: ±0.13 [0.005]	CHECKED BY AND DATE JUSTIN XING 12-19-05	DRAWING NO. 107-XXXXXXXXXXXX
MATERIAL	APPROVED BY AND DATE KING CHIU 12-19-05	REV A
FINISH	THIRD ANGLE PROJECTION 	FILE NO.
	SCALE: 1:1	SIZE: A3
		SHEET 4 OF 6

THE INFORMATION CONTAINED IN THIS DOCUMENT IS PROPRIETARY TO Y-S ELECTRONIC, ANY REPRODUCTION IN PART OR WHOLE WITHOUT PRIOR WRITTEN APPROVAL OR AUTHORIZATION OF Y-S ELECTRONIC IS STRICTLY PROHIBITED.

RoHS COMPLIANT

Ordering Information

107 - $\frac{XX}{a} \frac{X}{b} \frac{X}{c} \frac{X}{d} \frac{X}{e} \frac{X}{f} \frac{X}{g} \frac{X}{h} \frac{X}{i} \frac{X}{j}$

REVISIONS				
REV	ECN NO.	DESCRIPTION	APPROVED BY	DATE

a. No. Of Contacts:

- 09: 09 positions
- 15: 15 positions
- 25: 25 positions
- 37: 37 positions

b. Contact Type

- 1: Male 3: Male(reverse direction)
- 2: Female 4: Female(reverse direction)
- 6: Female(3.5mm)
- 8: Female(4.0mm)

c. Contact Plating

- 0: Gold flash selective gold(standard)
- 1: 5u"selective gold on contact
- 2: 10u"selective gold on contact
- 3: 15u"selective gold on contact
- 4: 30u"selective gold on contact
- 5: 50u"selective gold on contact
- 6: Gold flash full gold
- 7: Gold flash selective gold add plating
- 8: Full tin
- 9: Matte tin
- A: 30u"selective gold on contact;matte tin
- B: 15u"gold flash full gold

d. Shell plating :

- 0: Cr⁺³yellow chrome
- 1: Nickel (standard)
- 2: Tin
- 3: Cr⁺⁶yellow chrome
- 4: Gold flash
- 5: Tin, not dimple
- 6: Cr⁺⁶yellow chrome, dimple
- 7: Special tin, dimple
- 8: Cr⁺³yellow chrome, dimple
- 9: Matte tin
- A: Nickel plated(Wi th Y-S Logo)
- B: Tin plated(Wi th Y-S Logo)

e. Insulator Color

- 1: Blue 9: PC99 Purple
- 2: Black(standard) A: Black W/O halogen

- 3: White
- 4: Gray
- 5: Green

- 6: Black(high temperature)
- 7: PC99 red
- 8: PC99 yellow

f. Rivet Options :

- 0: None
- 1: Grounding Strap #4-40 threaded on panel
- 2: Grounding Strap #4-40 threaded on PCB&panel
- 3: Grounding Hook Boardlock+2 prong(Tin)
- 4: Grounding Hook Boardlock+4 prong
- 5: Grounding Strap, M3
- 6: Grounding Strap, clear hole
- 7: Plastic, Grounding Strap+Grounding Hook Boardlock 2 prong
- 8: Plastic, L-shaped bracket(suspend machined pin)
- 9: Grounding Strap full include(13.84mm)
- A: Grounding Strap half include(13.84mm)
- B: Grounding Strap full include(7.2mm)
- C: Grounding Hook Boardlock+2 prong(matte tin)
- D: Grounding Hook Boardlock+4 prong(matte tin)
- E: Rear rivet, 4.0mm

g. Flange Mounting Option :

- 0: Ø3.05mm clear hole
- 1: #4-40 threaded hole

h. Contact Type :

- 1: Stamped contact
- 2: Machined contact
- 3: Machined contact(with shaped plastic)
- 4: Stamped contact(Phoshor Bronze)

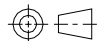
i. Ferrite Options :

- 0: Wi thout Ferrite
- 1: Wi th Ferrite

j. Footprint :

- 1: 7.2mm footprint
- 2: 9.4mm footprint
- 3: 13.84mm footprint Type 1 (plastic long Type, Boardlock 7.2mm)
- 4: 13.84mm footprint Type 2 (plastic long Type, Boardlock 13.84mm)
- 5: 5.08mm footprint
- 6: 3.0mm footprint
- 7: 13.84mm footprint Typ e3 (plastic short Type, Boardlock 7.2mm)

DO NOT SCALE DRAWING

DIMENSIONS: <input type="checkbox"/> MM [INCH] <input type="checkbox"/> INCH [mm] <input checked="" type="checkbox"/> MM ONLY	CAD GENERATED DRAWING, DO NOT MANUALLY UPDATE DRAWN BY AND DATE JUSTIN XING 07-20-06
	CHECKED BY AND DATE JUSTIN XING 07-20-06 APPROVED BY AND DATE KING CHIU 07-20-06 THIRD ANGLE PROJECTION 
UNLESS OTHERWISE SPECIFIED, GENERAL TOLERANCE: DECIMALS ANGLES X: ±0.38 [0.015] X° ±3° .X ±0.25 [0.010] .X° ±10° .XX ±0.13 [0.005]	SCALE: 1 : 1 SIZE: A3
MATERIAL FINISH	TITLE 107 SERIES D-SUB RIGHT ANGLE TYPE DRAWING NO. 107-XXXXXXXXXXXX REV E FILE NO. SHEET 5 OF 6

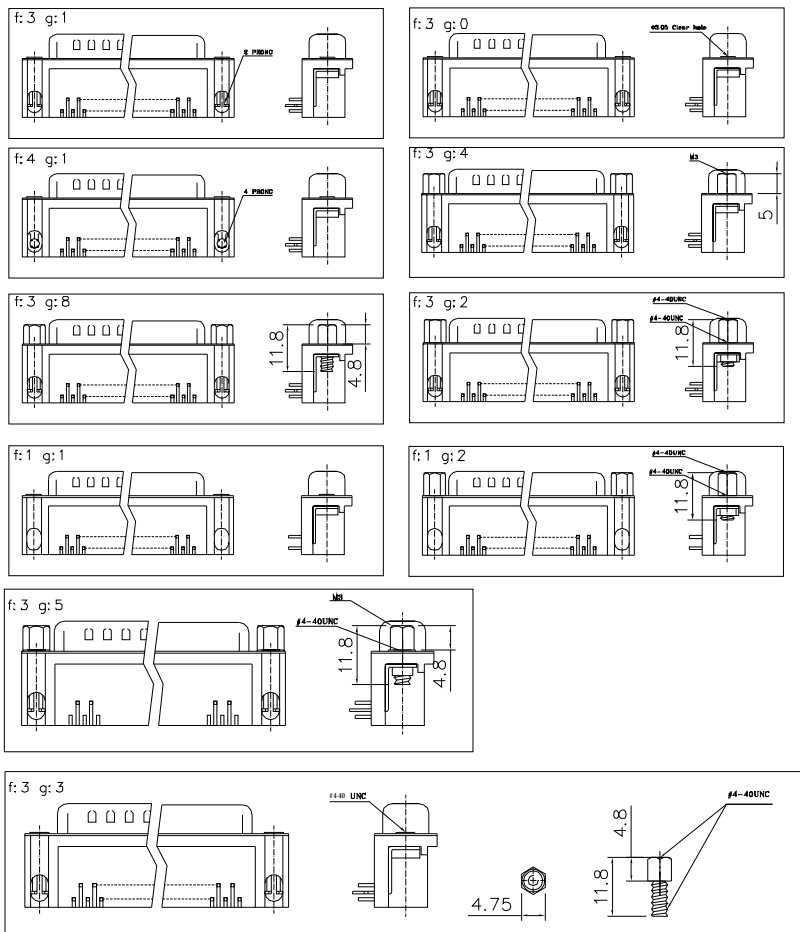


Y-S ELECTRONIC CO., LTD.
 No. 101, Sec. 1, Long-An Street,
 Lu-Chu, Taoyuan, Taiwan, R.O.C.
 TEL: +886-3-3609819 FAX: +886-3-3609817

THE INFORMATION CONTAINED IN THIS DOCUMENT IS PROPRIETARY TO Y-S ELECTRONIC. ANY REPRODUCTION IN PART OR WHOLE WITHOUT PRIOR WRITTEN APPROVAL OR AUTHORIZATION OF Y-S ELECTRONIC IS STRICTLY PROHIBITED.

RoHS COMPLIANT

REVISIONS				
REV	ECN NO.	DESCRIPTION	APPROVED BY	DATE



DO NOT SCALE DRAWING

DIMENSIONS: <input type="checkbox"/> MM [INCH] <input type="checkbox"/> INCH [mm] <input checked="" type="checkbox"/> MM ONLY	
UNLESS OTHERWISE SPECIFIED, GENERAL TOLERANCE: DECIMALS ANGLES .X ±0.38 [0.015] X° ±3° .X ±0.25 [0.010] .X° ±1.0° .XX ±0.13 [0.005]	
MATERIAL: _____ FINISH: _____	

CAD GENERATED DRAWING, DO NOT MANUALLY UPDATE DRAWN BY AND DATE JUSTIN XING 12-19-05	
CHECKED BY AND DATE JUSTIN XING 12-19-05	
APPROVED BY AND DATE KING CHIU 12-19-05	
THIRD ANGLE PROJECTION 	
SCALE: 1 : 1	SIZE: A3

Y-S ELECTRONIC CO., LTD.
 No. 101, Sec. 1, Long-An Street,
 Lu-Chu, Taoyuan, Taiwan, R.O.C.
 TEL: +886-3-3609819 FAX: +886-3-3609817

TITLE 107 SERIES D-SUB, RIGHT ANGLE TYPE	
DRAWING NO. 107-XXXXXXXXXX	REV A
FILE NO.: _____	SHEET 6 OF 6