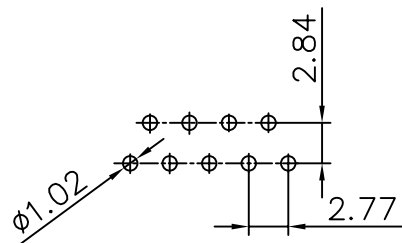
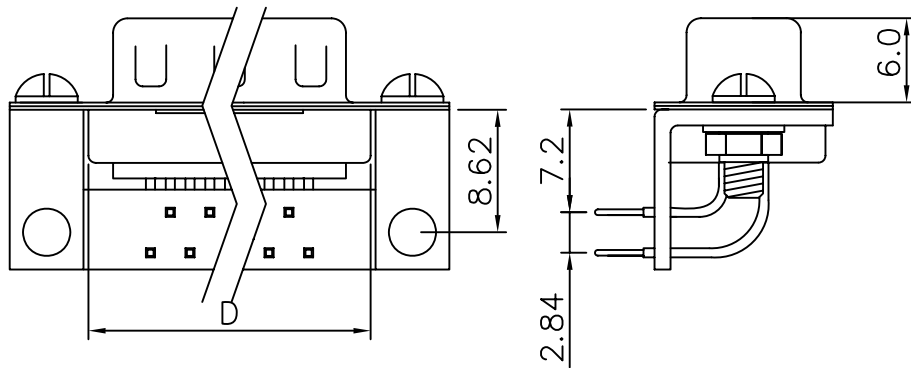
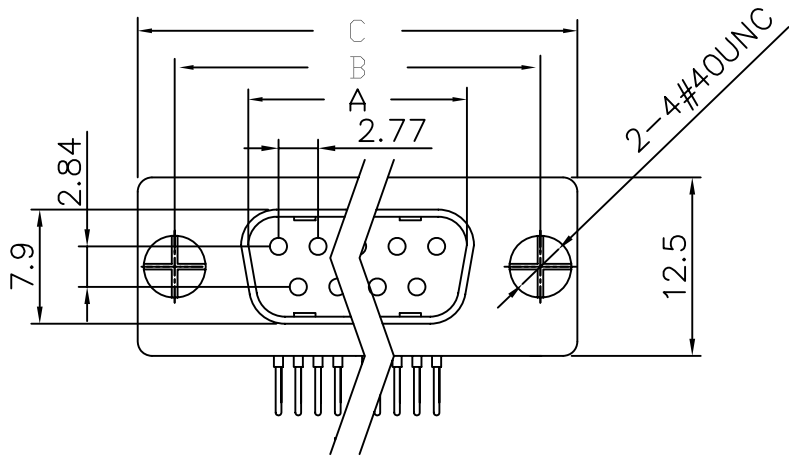


THE INFORMATION CONTAINED IN THIS DOCUMENT IS PROPRIETARY TO Y-S ELECTRONIC, ANY REPRODUCTION IN PART OR WHOLE WITHOUT PRIOR WRITTEN APPROVAL OR AUTHORIZATION OF Y-S ELECTRONIC IS STRICTLY PROHIBITED.

RoHS COMPLIANT



P.C.B LATOUT

REV.	DESCRIPTION	ECN NO.	DWN.	CHK.	APVD.	DATE
A			Xie	Long	Zhou	2015.07.23

Product Specification

Material

Insulator : Glass-Filled Thermoplastic PBT BLACK, UL94V-0

Contact : Copper alloy

Shell : Steel, 100u" Tin Over 50u" min Copper

HEX NUT : Copper alloy, Nickel Plated.

L TYPE : Steel, Nickel Plated.

Screwlock : Steel, Nickel Plated.

Electrical

Contact Resistance : 20 milliohms  
Max at 1 AMP DC.

Insulation Resistance : 1000  
magohms at 500 VDC

Dielectric Withstanding Voltage :  
1000 VAC/rms 60Hz for 1 minute

Current Rating : 5 AMP

Volatge Rating : 250 VAC/rms 60Hz

TABLE 1

NO. OF Contact	A	B	C	D
09	16.92	24.99	30.81	19.2
15	25.25	33.32	39.14	27.7
25	38.96	47.04	53.04	41.1
37	55.42	63.50	69.32	57.3

DO NOT SCALE DRAWING

DIMENSIONS: <input type="checkbox"/> mm [INCH] <input type="checkbox"/> INCH [mm] <input checked="" type="checkbox"/> mm ONLY		CAD GENERATED DRAWING, DO NOT MANUALLY UPDATE DRAWN BY AND DATE Xie 2015-07-23			
UNLESS OTHERWISE SPECIFIED, GENERAL TOLERANCE: DECIMALS    ANGLES .X    ±0.38 [0.015]    X°    ±3° .XX   ±0.20            .X°   ±1.0°		CHECKED BY AND DATE Long 2015-07-23 APPROVED BY AND DATE Zhou 2015-07-23 THIRD ANGLE PROJECTION			
MATERIAL: 		SCALE: 1 : 1    SIZE: A3		DRAWING NO. 107-XX1X2X1A501    REV A	
FINISH:		FILE NO.:		SHEET 1 OF 1	